

# WIRING SPECIFICATIONS SUPPLEMENT

If you have any questions, no matter how big or small we urge you to call your local staker at the Engineering Department of White River Valley Electric Cooperative. We want to help you avoid any complications, unnecessary work and/or expenses.

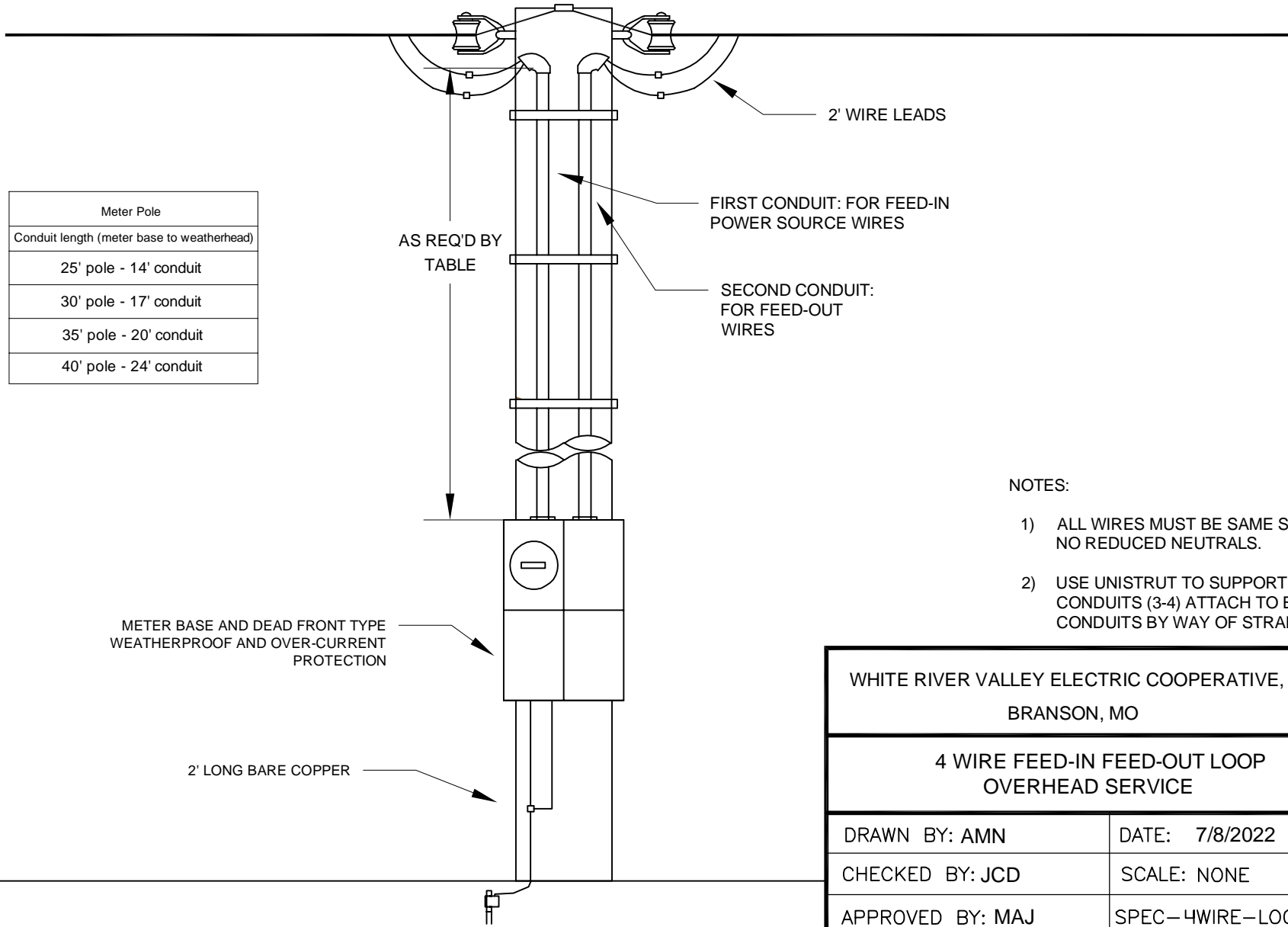
Main Office: 417-335-9335  
Engineering Dept: 417-335-9221  
[www.whiteriver.org](http://www.whiteriver.org)



**WHITE RIVER VALLEY**  
**ELECTRIC COOPERATIVE**

Your Touchstone Energy® Cooperative 

METER LOOP	PHASE CONDUCTOR		NEUTRAL CONDUCTOR	GROUND WIRE	RIGID CONDUIT GALVANIZED OR ALUMINUM	MAIN DISCONNECT	WEATHER HEAD	CONDUIT CLAMP	INSULATION
	NON - RESIDENTIAL	RESIDENTIAL							
100 AMP METER LOOP	#2 CU	#4 CU	SAME AS PHASE	#6 CU	1 1/2"	100 AMP	2 UNITS	3 ea.	(THW, THHW)
	1/0 AL	#2 AL							
200 AMP METER LOOP	4/0 CU	3/0 CU	SAME AS PHASE	#4 CU	2"	200 AMP	2 UNITS	3 ea.	(THW, THHW)
	250 AL	4/0 AL							

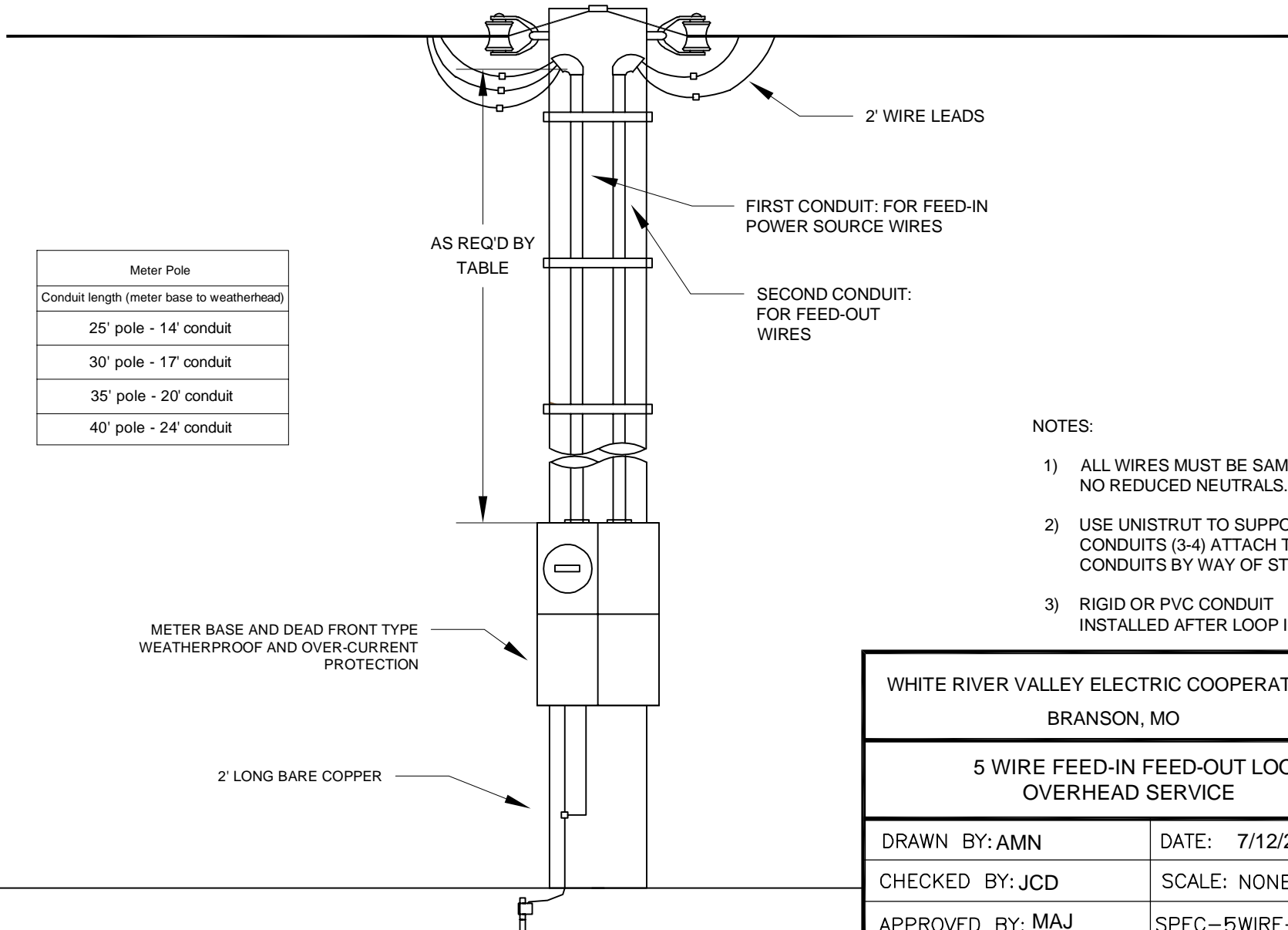


Meter Pole
Conduit length (meter base to weatherhead)
25' pole - 14' conduit
30' pole - 17' conduit
35' pole - 20' conduit
40' pole - 24' conduit

- NOTES:
- 1) ALL WIRES MUST BE SAME SIZE. NO REDUCED NEUTRALS.
  - 2) USE UNISTRUT TO SUPPORT CONDUITS (3-4) ATTACH TO BOTH CONDUITS BY WAY OF STRAPS.

WHITE RIVER VALLEY ELECTRIC COOPERATIVE, INC. BRANSON, MO	
4 WIRE FEED-IN FEED-OUT LOOP OVERHEAD SERVICE	
DRAWN BY: AMN	DATE: 7/8/2022
CHECKED BY: JCD	SCALE: NONE
APPROVED BY: MAJ	SPEC-4WIRE-LOOP

METER LOOP	PHASE CONDUCTOR		NEUTRAL CONDUCTOR	GROUND WIRE	RIGID CONDUIT GALVANIZED OR ALUMINUM	MAIN DISCONNECT	WEATHER HEAD	CONDUIT CLAMP	INSULATION
	NON - RESIDENTIAL	RESIDENTIAL							
100 AMP METER LOOP	#2 CU	#4 CU	SAME AS PHASE	#6 CU	1 1/2"	100 AMP	2 UNITS	3 ea.	(THW, THHW)
	1/0 AL	#2 AL							
200 AMP METER LOOP	4/0 CU	3/0 CU	SAME AS PHASE	#4 CU	2"	200 AMP	2 UNITS	3 ea.	(THW, THHW)
	250 AL	4/0 AL							



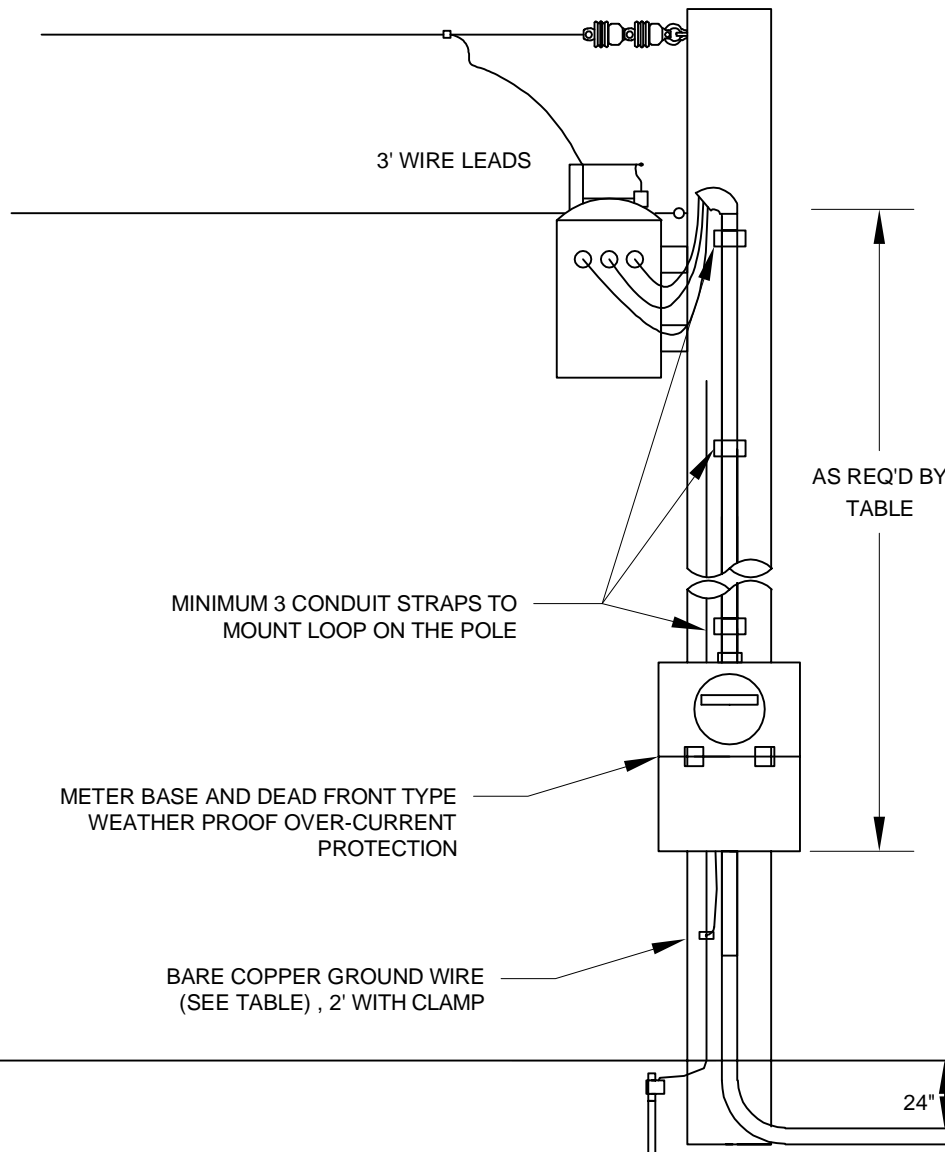
Meter Pole
Conduit length (meter base to weatherhead)
25' pole - 14' conduit
30' pole - 17' conduit
35' pole - 20' conduit
40' pole - 24' conduit

NOTES:

- 1) ALL WIRES MUST BE SAME SIZE. NO REDUCED NEUTRALS.
- 2) USE UNISTRUT TO SUPPORT CONDUITS (3-4) ATTACH TO BOTH CONDUITS BY WAY OF STRAPS.
- 3) RIGID OR PVC CONDUIT INSTALLED AFTER LOOP IS HUNG.

WHITE RIVER VALLEY ELECTRIC COOPERATIVE, INC. BRANSON, MO	
5 WIRE FEED-IN FEED-OUT LOOP OVERHEAD SERVICE	
DRAWN BY: AMN	DATE: 7/12/2022
CHECKED BY: JCD	SCALE: NONE
APPROVED BY: MAJ	SPEC-5WIRE-LOOP

METER LOOP	PHASE CONDUCTOR		NEUTRAL CONDUCTOR	GROUND WIRE	RIGID CONDUIT GALVANIZED OR ALUMINUM	MAIN DISCONNECT	WEATHER HEAD	CONDUIT CLAMP	INSULATION
	NON - RESIDENTIAL	RESIDENTIAL							
100 AMP METER LOOP	#2 CU	#4 CU	SAME AS PHASE	#6 CU	1 1/2"	100 AMP	1 UNITS	3 ea.	(THW, THHW)
	1/0 AL	#2 AL							
200 AMP METER LOOP	4/0 CU	3/0 CU	SAME AS PHASE	#4 CU	2"	200 AMP	1 UNITS	3 ea.	(THW, THHW)
	250 AL	4/0 AL							



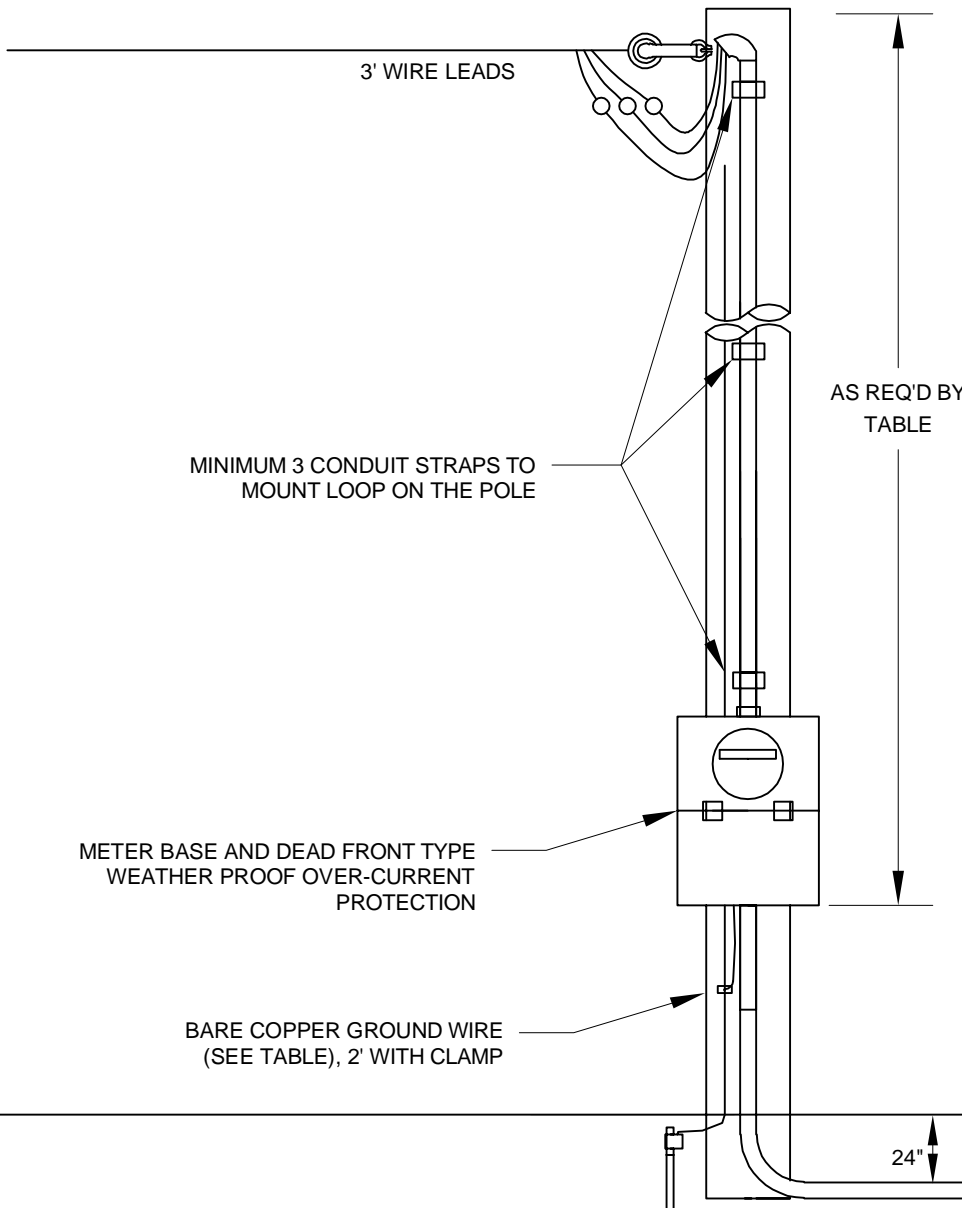
Primary Pole
Conduit length (meter base to weatherhead)
35' pole - 17' conduit
40' pole - 20' conduit
45' pole - 25' conduit
50' pole - 29' conduit
Meter Pole
Conduit length (meter base to weatherhead)
25' pole - 14' conduit
30' pole - 17' conduit
35' pole - 20' conduit
40' pole - 24' conduit

NOTES:

- 1) ALL WIRES MUST BE SAME SIZE. NO REDUCED NEUTRALS.
- 2) USE THREADED RIGID STEEL CONDUIT.
- 3) SERVICE ENTRANCE CONDUIT RIGID OR SCH. 40 PVC INSTALLED AFTER LOOP IS HUNG ON POLE.
- 4) VERIFY CONDUIT HEIGHT WITH STAKING ENGINEER

WHITE RIVER VALLEY ELECTRIC COOPERATIVE, INC. BRANSON, MO	
METER LOOP FOR PRIMARY POLE OVERHEAD SERVICE	
DRAWN BY: AMN	DATE: 7/12/2022
CHECKED BY: JCD	SCALE: NONE
APPROVED BY: MAJ	SPEC-OH-LOOP

METER LOOP	PHASE CONDUCTOR		NEUTRAL CONDUCTOR	GROUND WIRE	RIGID CONDUIT GALVANIZED OR ALUMINUM	MAIN DISCONNECT	WEATHER HEAD	CONDUIT CLAMP	INSULATION
	NON - RESIDENTIAL	RESIDENTIAL							
100 AMP METER LOOP	#2 CU	#4 CU	SAME AS PHASE	#6 CU	1 1/2"	100 AMP	1 UNITS	3 ea.	(THW, THHW)
	1/0 AL	#2 AL							
200 AMP METER LOOP	4/0 CU	3/0 CU	SAME AS PHASE	#4 CU	2"	200 AMP	1 UNITS	3 ea.	(THW, THHW)
	250 AL	4/0 AL							

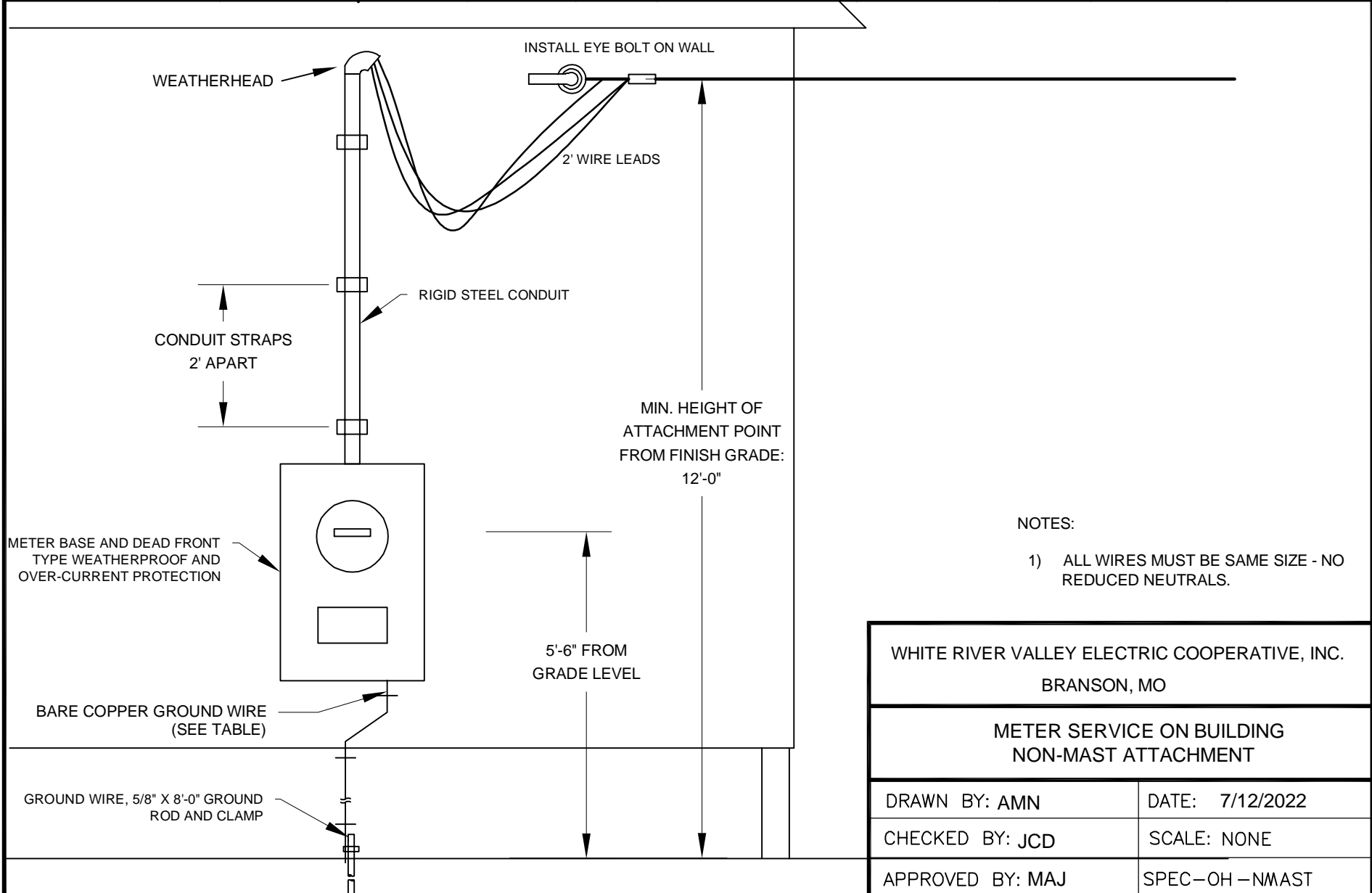


Meter Pole
Conduit length (meter base to weatherhead)
25' pole - 14' conduit
30' pole - 17' conduit
35' pole - 20' conduit
40' pole - 24' conduit

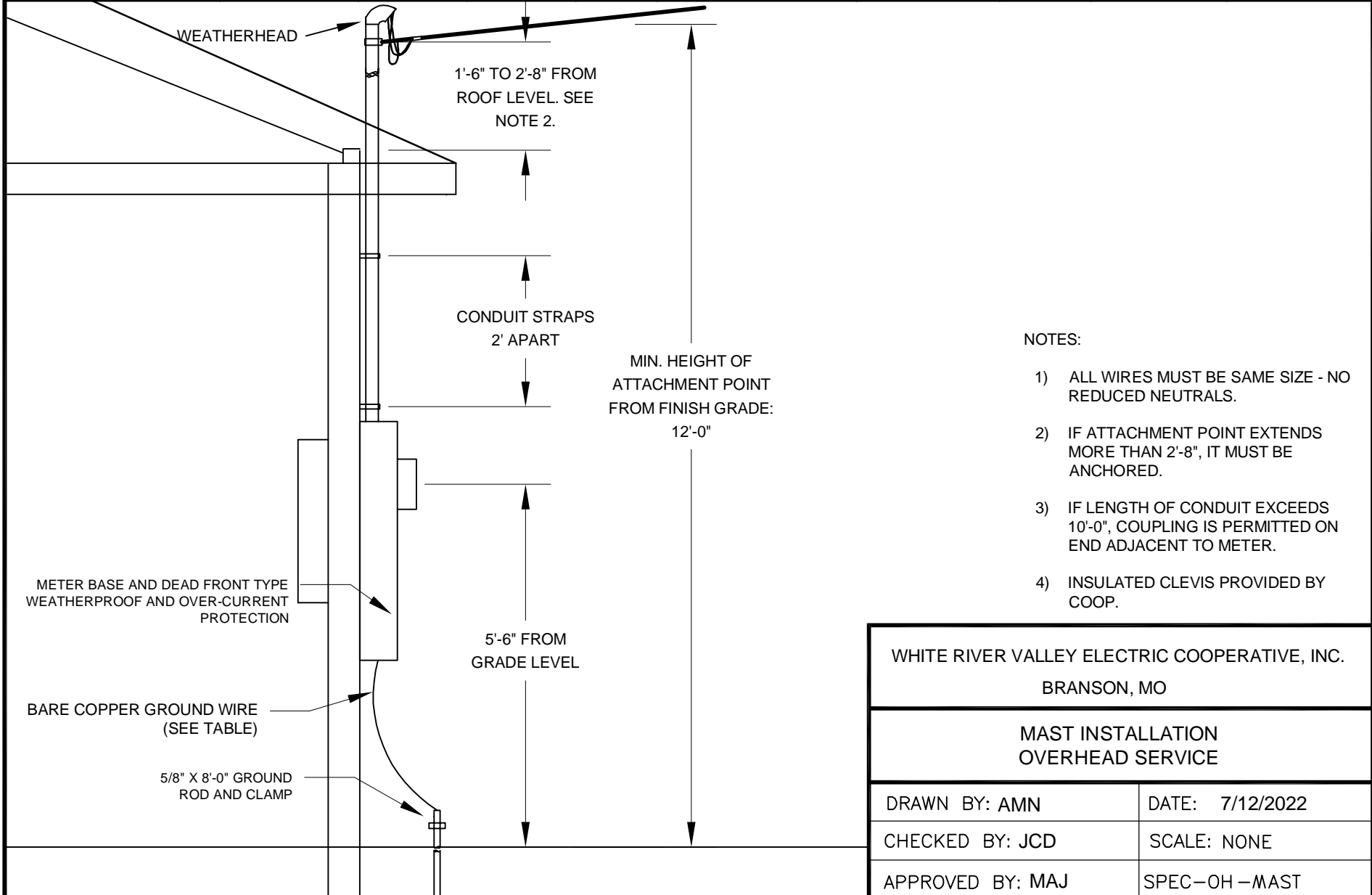
- NOTES:
- 1) ALL WIRES MUST BE SAME SIZE. NO REDUCED NEUTRALS.
  - 2) USE THREADED RIGID STEEL OR ALUMINUM CONDUIT.
  - 3) SERVICE ENTRANCE CONDUIT RIGID OR SCH. 40 PVC INSTALLED AFTER LOOP IS HUNG ON POLE.
  - 4) VERIFY CONDUIT HEIGHT WITH STAKING ENGINEER

WHITE RIVER VALLEY ELECTRIC COOPERATIVE, INC. BRANSON, MO	
METER LOOP FOR METER POLE UNDERGROUND SERVICE	
DRAWN BY: AMN	DATE: 7/12/2022
CHECKED BY: JCD	SCALE: NONE
APPROVED BY: MAJ	SPEC - UG - LOOP

METER LOOP	PHASE CONDUCTOR		NEUTRAL CONDUCTOR	GROUND WIRE	RIGID CONDUIT GALVANIZED OR ALUMINUM	MAIN DISCONNECT	WEATHER HEAD	CONDUIT CLAMP	INSULATION
	NON - RESIDENTIAL	RESIDENTIAL							
100 AMP METER LOOP	#2 CU	#4 CU	SAME AS PHASE	#6 CU	1 1/2"	100 AMP	1 UNITS	3 ea.	(THW, THHW)
	1/0 AL	#2 AL							
200 AMP METER LOOP	4/0 CU	3/0 CU	SAME AS PHASE	#4 CU	2"	200 AMP	1 UNITS	3 ea.	(THW, THHW)
	250 AL	4/0 AL							
400 AMP METER LOOP	350 CU	250 CU	SAME AS PHASE	#2 CU	2 1/2"	400 AMP OR (2) 200 AMP	1 UNITS	3 ea.	(THW, THHW)
	500 AL	350 AL							

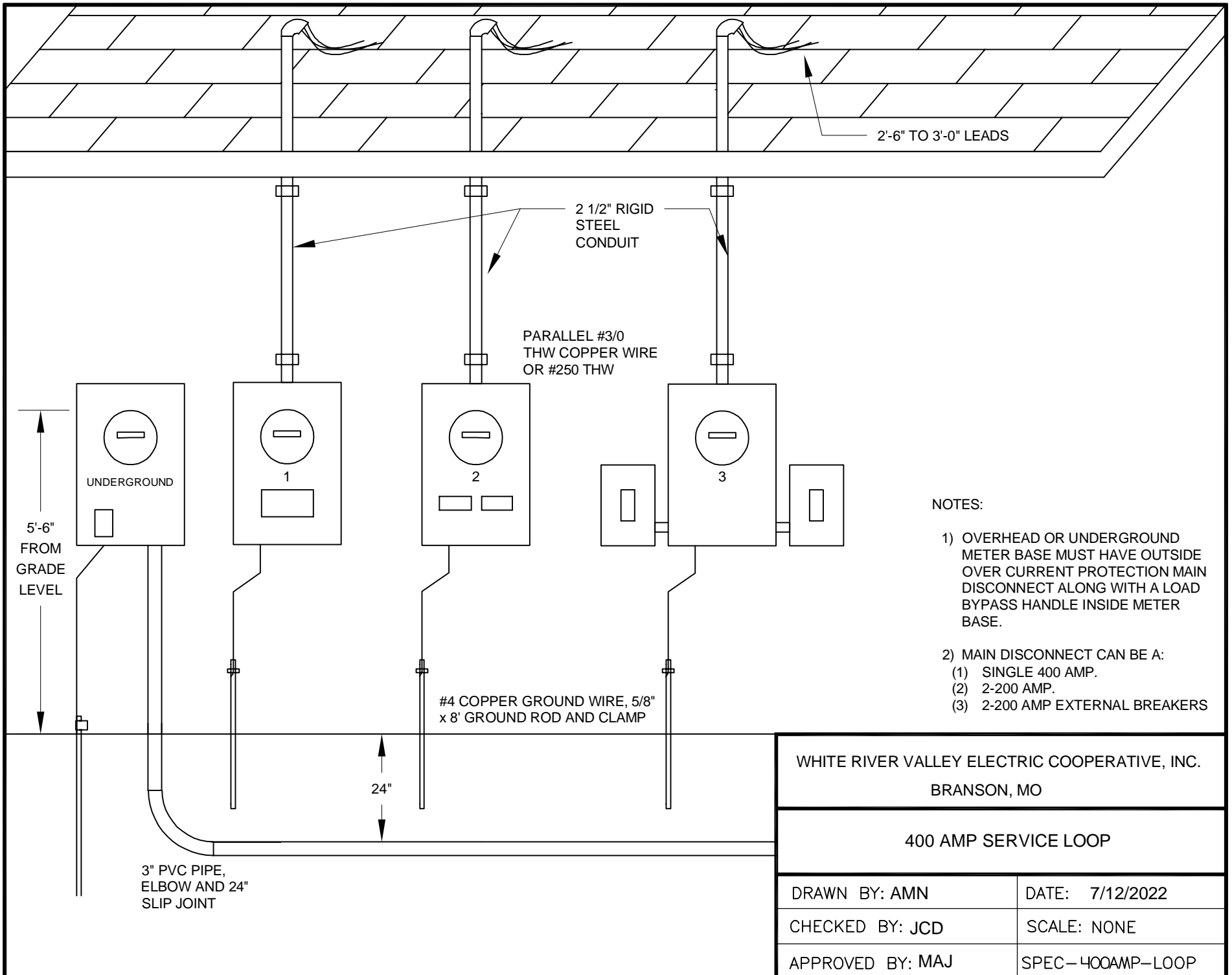


METER LOOP	PHASE CONDUCTOR		NEUTRAL CONDUCTOR	GROUND WIRE	RIGID CONDUIT GALVANIZED OR ALUMINUM	MAIN DISCONNECT	WEATHER HEAD	CONDUIT CLAMP	INSULATION
	NON - RESIDENTIAL	RESIDENTIAL							
100 AMP METER LOOP	#2 CU	#4 CU	SAME AS PHASE	#6 CU	1 1/2"	100 AMP	1 UNITS	3 ea.	(THW, THHW)
	1/0 AL	#2 AL							
200 AMP METER LOOP	4/0 CU	3/0 CU	SAME AS PHASE	#4 CU	2"	200 AMP	1 UNITS	3 ea.	(THW, THHW)
	250 AL	4/0 AL							
400 AMP METER LOOP	350 CU	250 CU	SAME AS PHASE	#2 CU	2 1/2"	400 AMP OR (2) 200 AMP	1 UNITS	3 ea.	(THW, THHW)
	500 AL	350 AL							

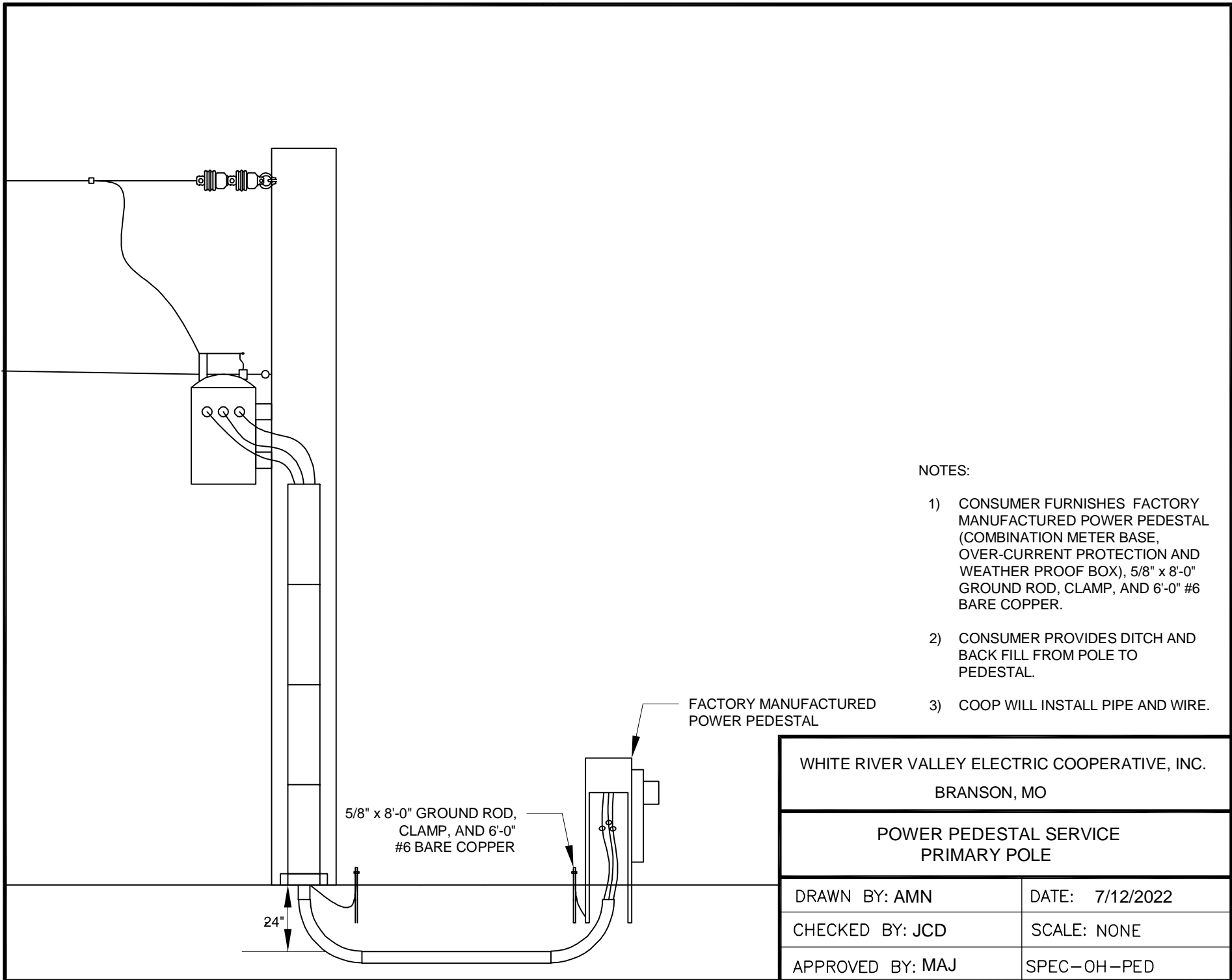


- NOTES:
- 1) ALL WIRES MUST BE SAME SIZE - NO REDUCED NEUTRALS.
  - 2) IF ATTACHMENT POINT EXTENDS MORE THAN 2'-8", IT MUST BE ANCHORED.
  - 3) IF LENGTH OF CONDUIT EXCEEDS 10'-0", COUPLING IS PERMITTED ON END ADJACENT TO METER.
  - 4) INSULATED CLEVIS PROVIDED BY COOP.

WHITE RIVER VALLEY ELECTRIC COOPERATIVE, INC. BRANSON, MO	
MAST INSTALLATION OVERHEAD SERVICE	
DRAWN BY: AMN	DATE: 7/12/2022
CHECKED BY: JCD	SCALE: NONE
APPROVED BY: MAJ	SPEC-OH-MAST







NOTES:

- 1) CONSUMER FURNISHES FACTORY MANUFACTURED POWER PEDESTAL (COMBINATION METER BASE, OVER-CURRENT PROTECTION AND WEATHER PROOF BOX), 5/8" x 8'-0" GROUND ROD, CLAMP, AND 6'-0" #6 BARE COPPER.
- 2) CONSUMER PROVIDES DITCH AND BACK FILL FROM POLE TO PEDESTAL.
- 3) COOP WILL INSTALL PIPE AND WIRE.

FACTORY MANUFACTURED POWER PEDESTAL

5/8" x 8'-0" GROUND ROD, CLAMP, AND 6'-0" #6 BARE COPPER

24"

WHITE RIVER VALLEY ELECTRIC COOPERATIVE, INC.  
BRANSON, MO

POWER PEDESTAL SERVICE  
PRIMARY POLE

DRAWN BY: AMN

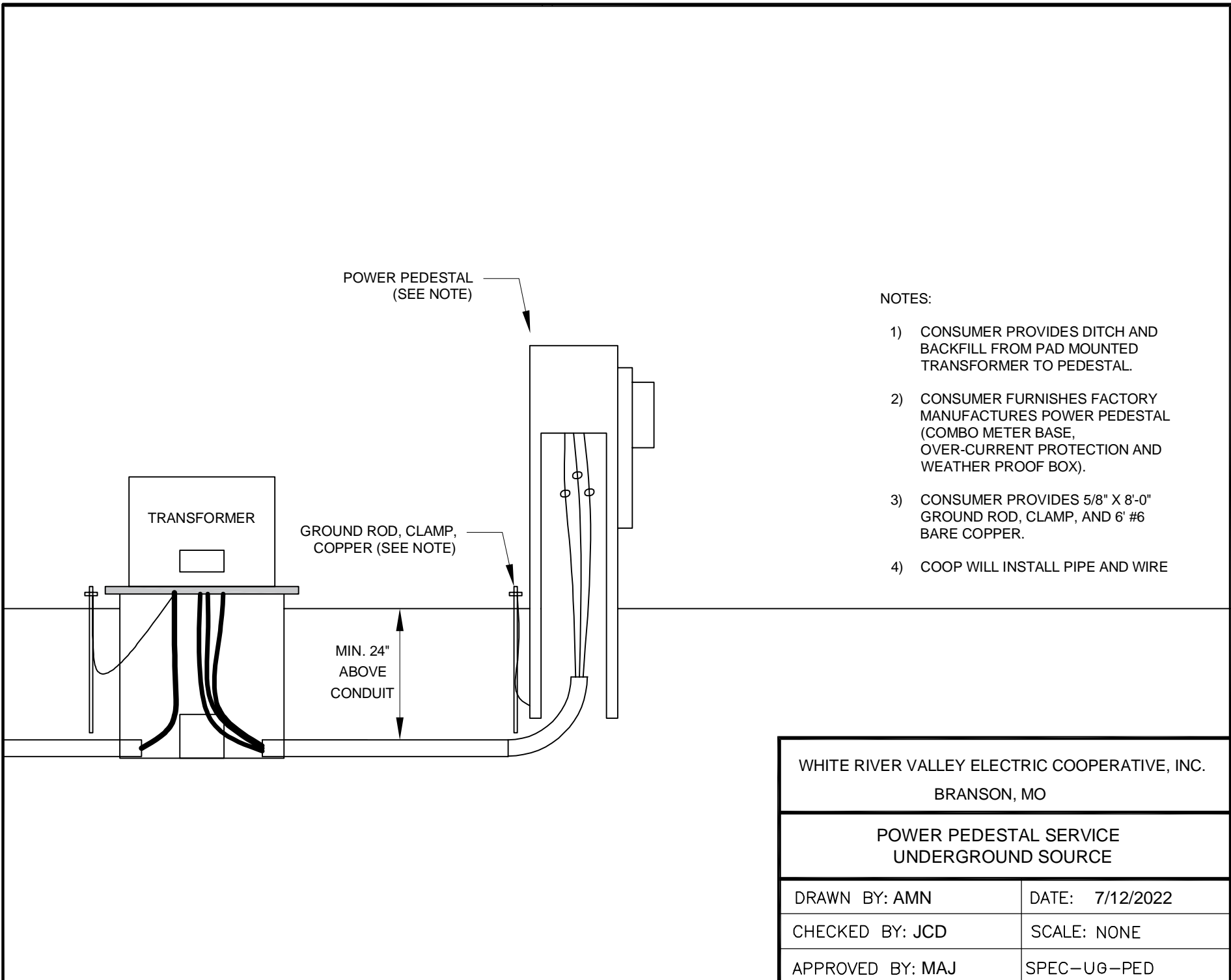
DATE: 7/12/2022

CHECKED BY: JCD

SCALE: NONE

APPROVED BY: MAJ

SPEC-OH-PED



NOTES:

- 1) CONSUMER PROVIDES DITCH AND BACKFILL FROM PAD MOUNTED TRANSFORMER TO PEDESTAL.
- 2) CONSUMER FURNISHES FACTORY MANUFACTURES POWER PEDESTAL (COMBO METER BASE, OVER-CURRENT PROTECTION AND WEATHER PROOF BOX).
- 3) CONSUMER PROVIDES 5/8" X 8'-0" GROUND ROD, CLAMP, AND 6' #6 BARE COPPER.
- 4) COOP WILL INSTALL PIPE AND WIRE

WHITE RIVER VALLEY ELECTRIC COOPERATIVE, INC.  
BRANSON, MO

POWER PEDESTAL SERVICE  
UNDERGROUND SOURCE

DRAWN BY: AMN

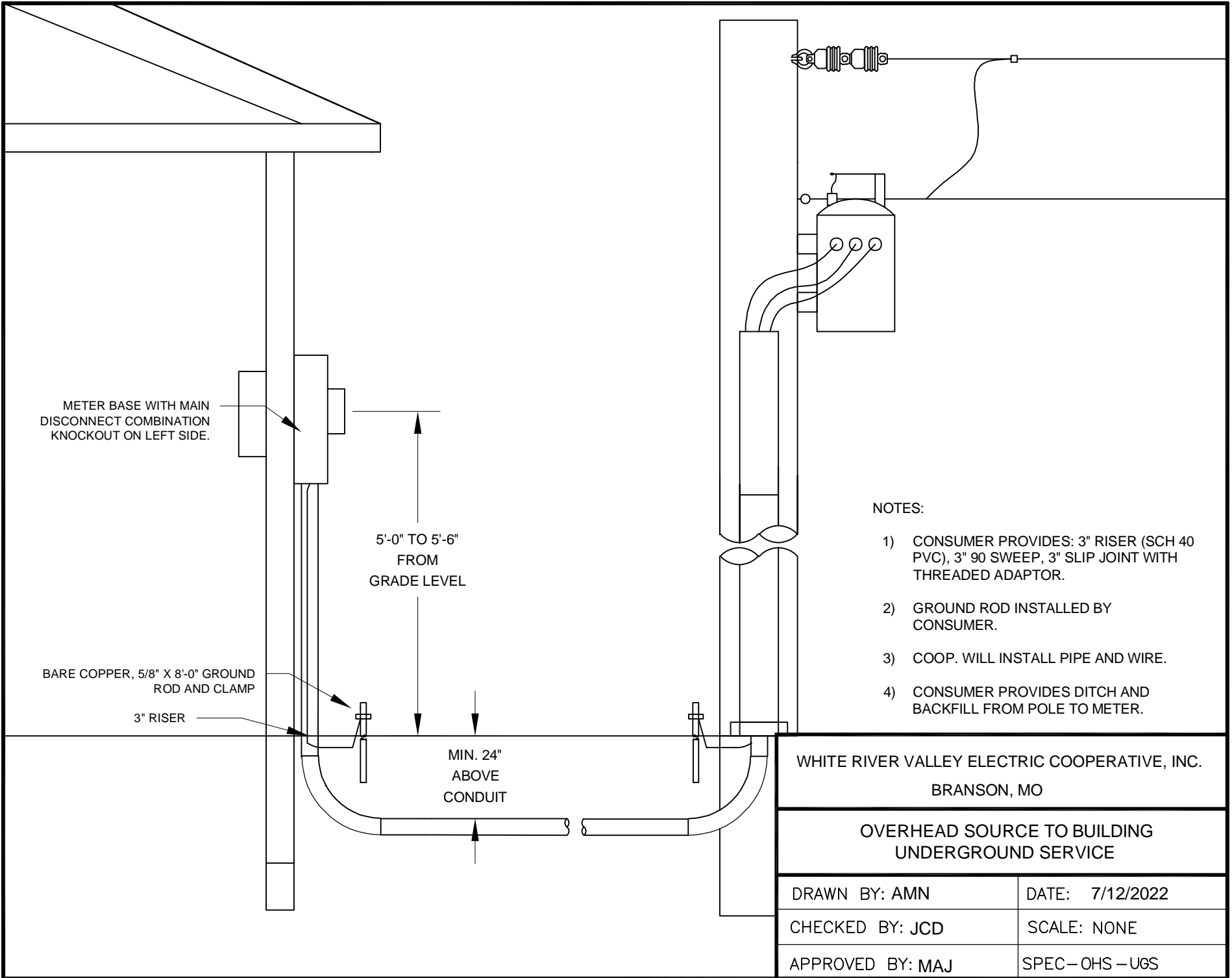
DATE: 7/12/2022

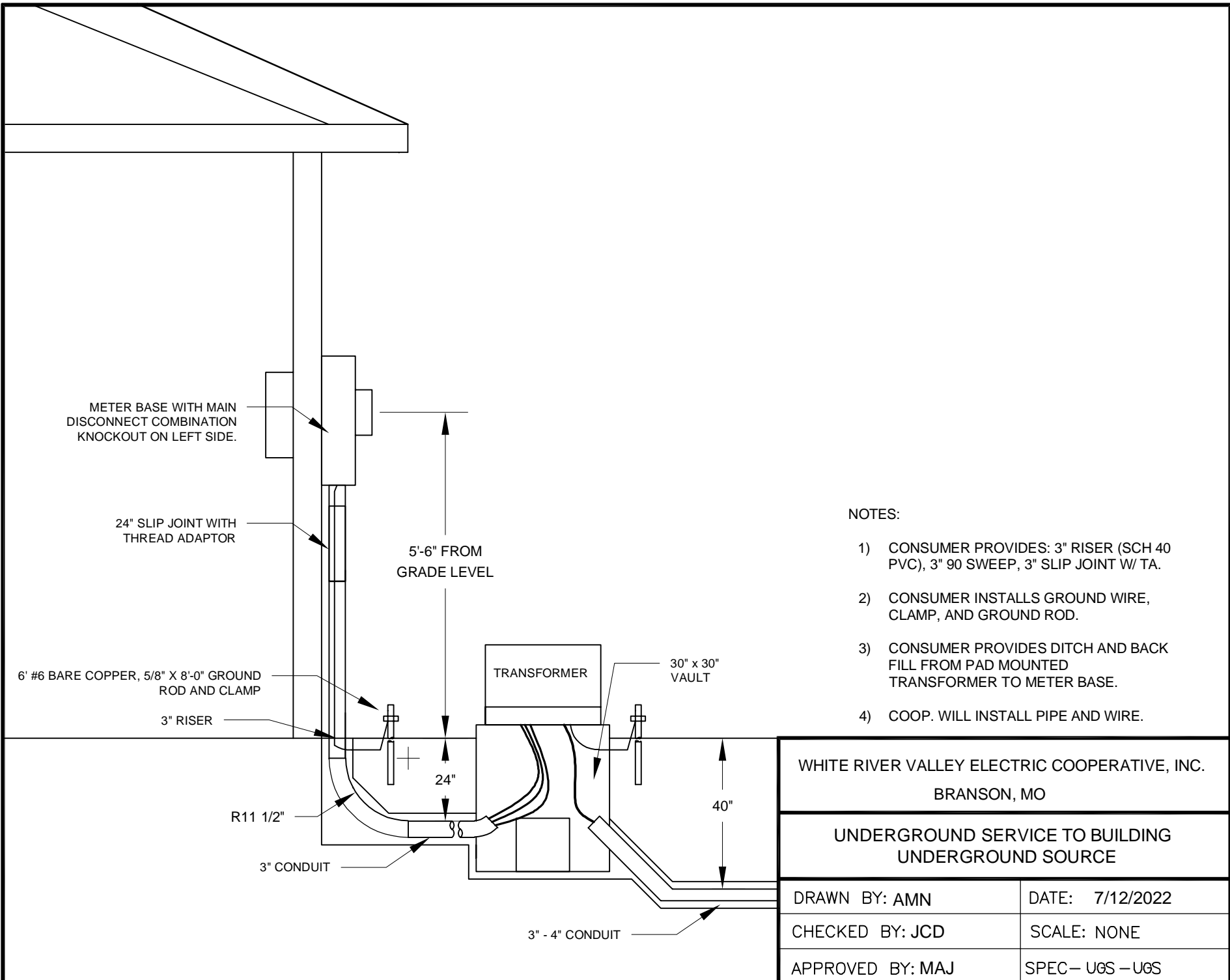
CHECKED BY: JCD

SCALE: NONE

APPROVED BY: MAJ

SPEC-UG-PED

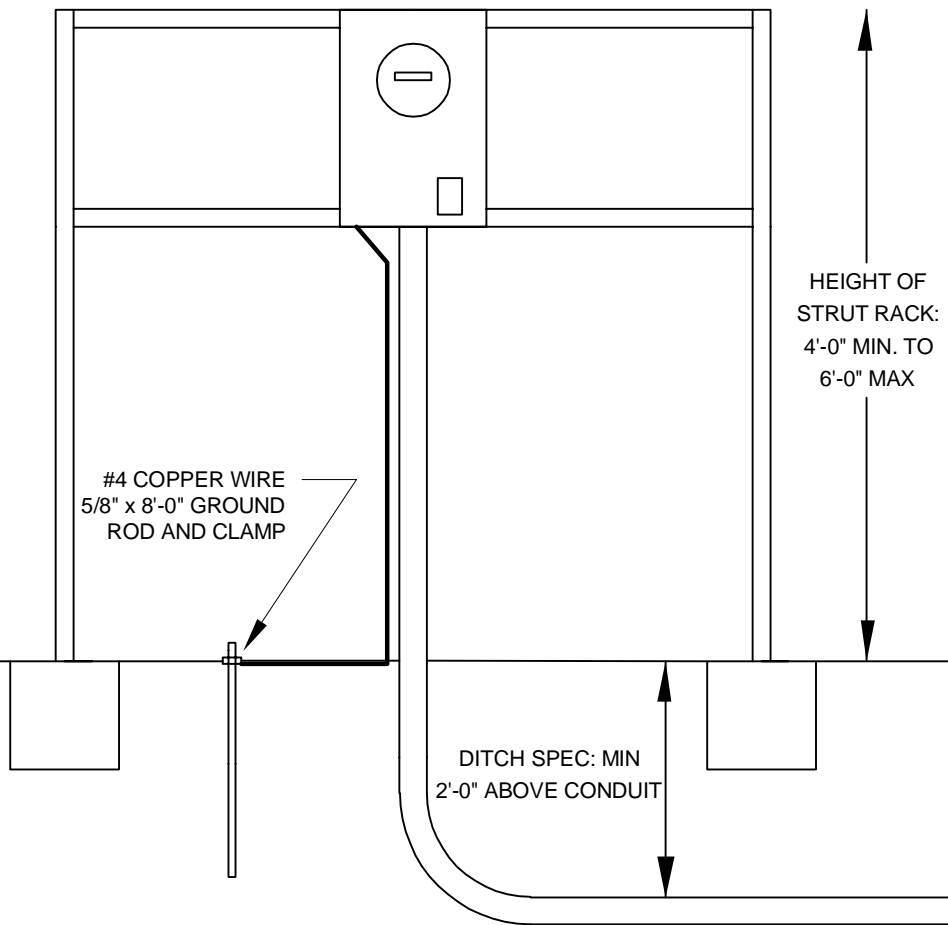




NOTES:

- 1) CONSUMER PROVIDES: 3" RISER (SCH 40 PVC), 3" 90 SWEEP, 3" SLIP JOINT W/ TA.
- 2) CONSUMER INSTALLS GROUND WIRE, CLAMP, AND GROUND ROD.
- 3) CONSUMER PROVIDES DITCH AND BACK FILL FROM PAD MOUNTED TRANSFORMER TO METER BASE.
- 4) COOP. WILL INSTALL PIPE AND WIRE.

WHITE RIVER VALLEY ELECTRIC COOPERATIVE, INC. BRANSON, MO	
UNDERGROUND SERVICE TO BUILDING UNDERGROUND SOURCE	
DRAWN BY: AMN	DATE: 7/12/2022
CHECKED BY: JCD	SCALE: NONE
APPROVED BY: MAJ	SPEC- UGS - UGS



NOTES:

- 1) CONSUMER PROVIDES DITCH AND BACKFILL, 3" PVC PIPE, ELBOW, AND SLIP JOINT W/ THREADED ADAPTOR.
- 2) COOP. WILL INSTALL PIPE AND WIRE.
- 3) USE 2" GALVANIZED STEEL B CHANNEL.
- 4) UNDERGROUND METER BASE MUST HAVE OVER-CURRENT PROTECTION MAIN DISCONNECT WITH LOAD BYPASS HANDLE INSIDE METER BASE.
- 5) MAIN DISCONNECT CAN BE A SINGLE 400 AMP, 2-200 AMP, OR 2-200 AMP EXTERNAL. (SEE 400 AMP SERVICE PAGE FOR METER BASE LAYOUTS)

WHITE RIVER VALLEY ELECTRIC COOPERATIVE, INC.  
BRANSON, MO

STRUT RACK TO MOUNT  
METER SOCKET AND DISCONNECTS

DRAWN BY: AMN

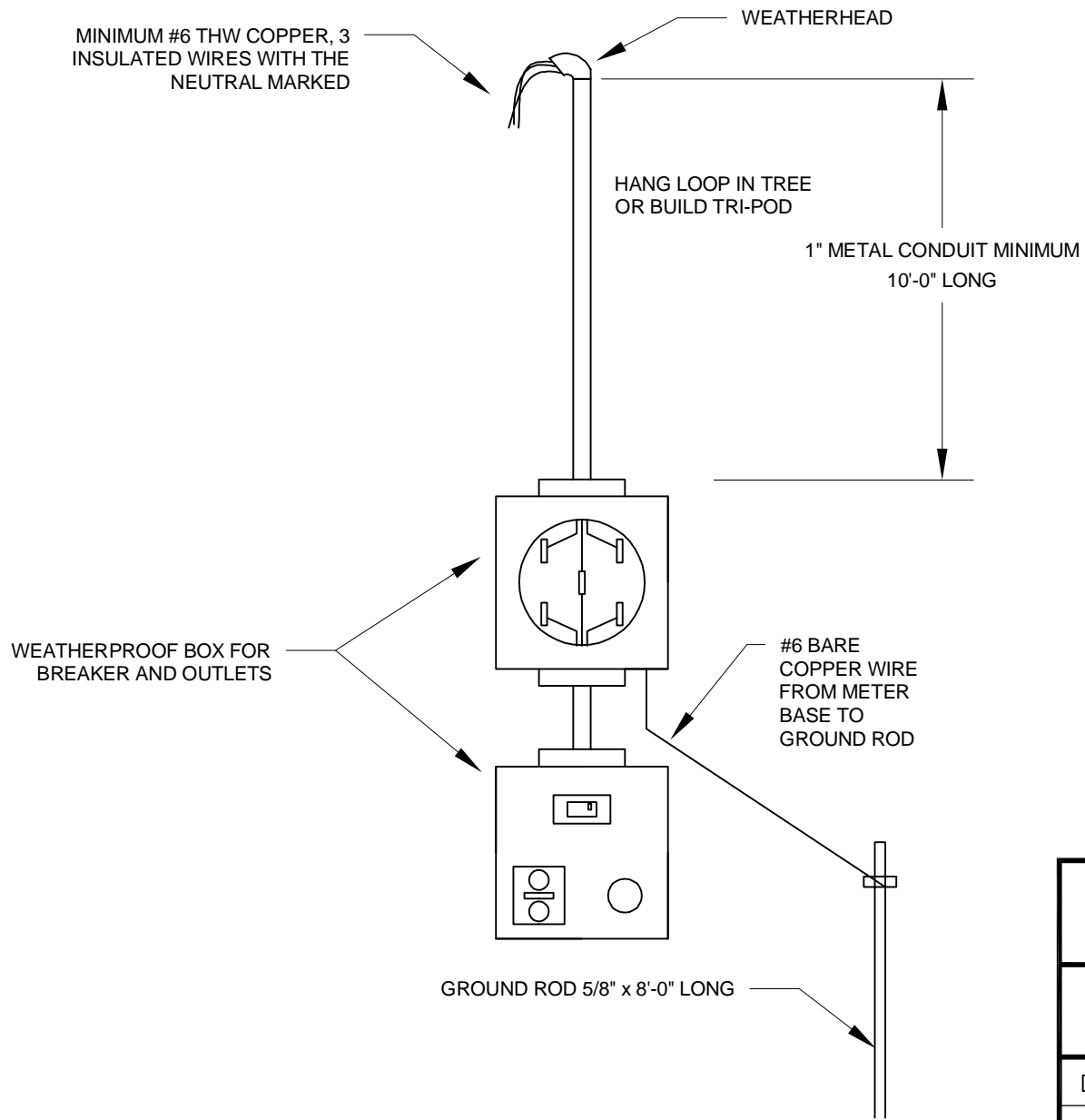
DATE: 7/12/2022

CHECKED BY: JCD

SCALE: NONE

APPROVED BY: MAJ

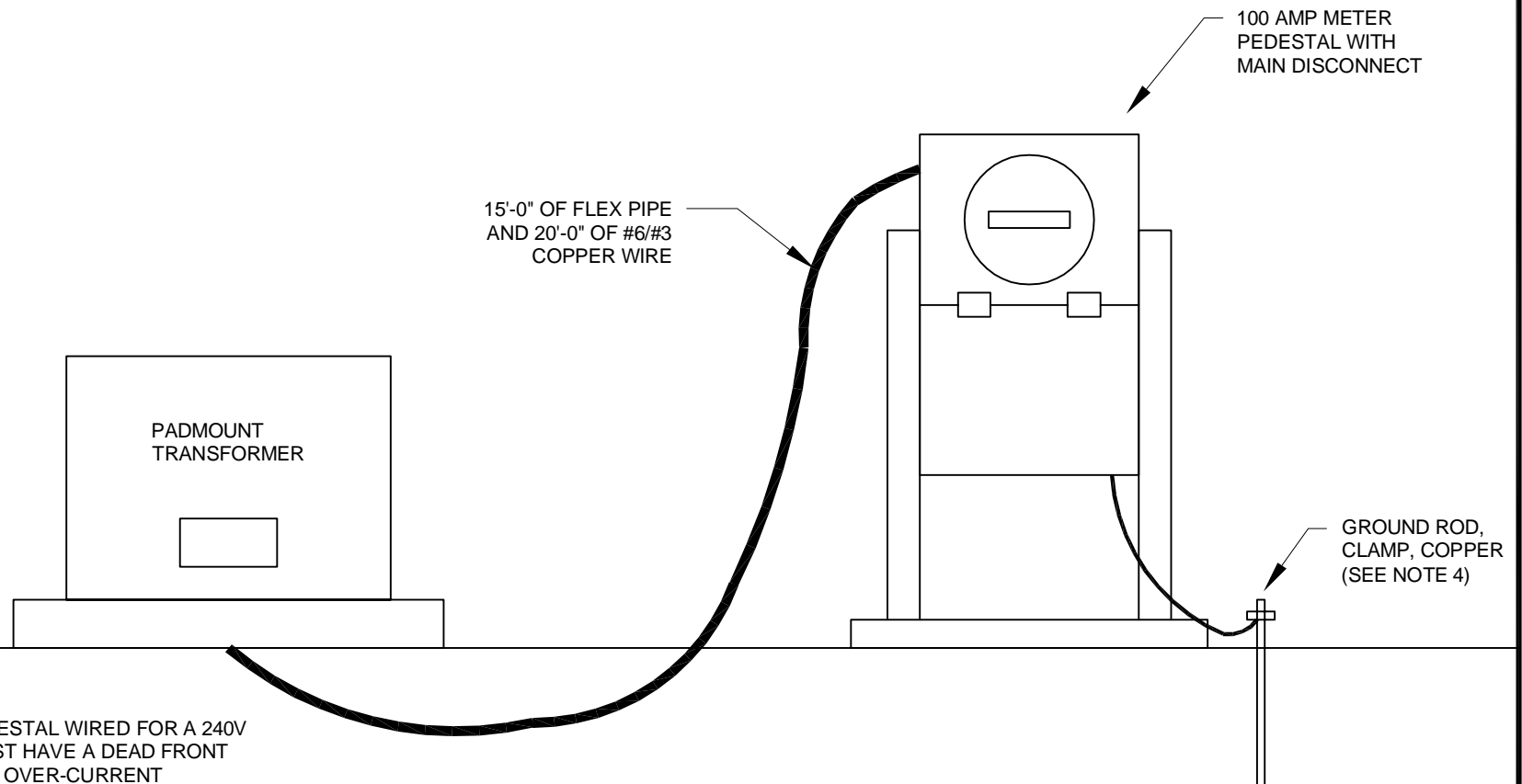
SPEC- STRUT-RACK



NOTES:

- 1) A TEMPORARY LOOP MUST BE EQUIPPED WITH A DEAD FRONT TYPE POWER OUTLET WITH PROPER OVER-CURRENT PROTECTION. A SIDE-ARM SWITCH CANNOT BE USED.
- 2) ALL 120V CIRCUITS MUST BE GFI PROTECTED.
- 3) ALL WIRES MUST BE THE SAME SIZE. NO REDUCED NEUTRALS.
- 4) MINIMUM 100 AMP, 120V/240V
- 5) METER BASE WIRED AS SHOWN TO OPERATE A 240V METER.

WHITE RIVER VALLEY ELECTRIC COOPERATIVE, INC. BRANSON, MO	
TEMPORARY METER LOOP EXAMPLE	
DRAWN BY: AMN	DATE: 7/12/2022
CHECKED BY: JCD	SCALE: NONE
APPROVED BY: MAJ	SPEC-TEMP-LOOP



NOTES:

- 1) METER PEDESTAL WIRED FOR A 240V METER. MUST HAVE A DEAD FRONT COVER AND OVER-CURRENT PROTECTION.
- 2) ALL 120V CIRCUITS MUST BE GFI PROTECTED.
- 3) ALL WIRES MUST BE SAME SIZE. NO REDUCED NEUTRALS.
- 4) #6 BARE COPPER, 5/8" x 8'-0" GROUND ROD AND CLAMP.

WHITE RIVER VALLEY ELECTRIC COOPERATIVE, INC.  
BRANSON, MO

TEMPORARY PEDESTAL  
UNDERGROUND SOURCE

DRAWN BY: AMN

DATE: 7/12/2022

CHECKED BY: JCD

SCALE: NONE

APPROVED BY: MAJ

SPEC-TEMP-PED

WHITE RIVER VALLEY ELECTRIC COOPERATIVE, INC.

BRANSON, MO

TYPICAL SINGLE PHASE UNDERGROUND

DRAWN BY: AMN

DATE: 7/12/2022

CHECKED BY: JCD

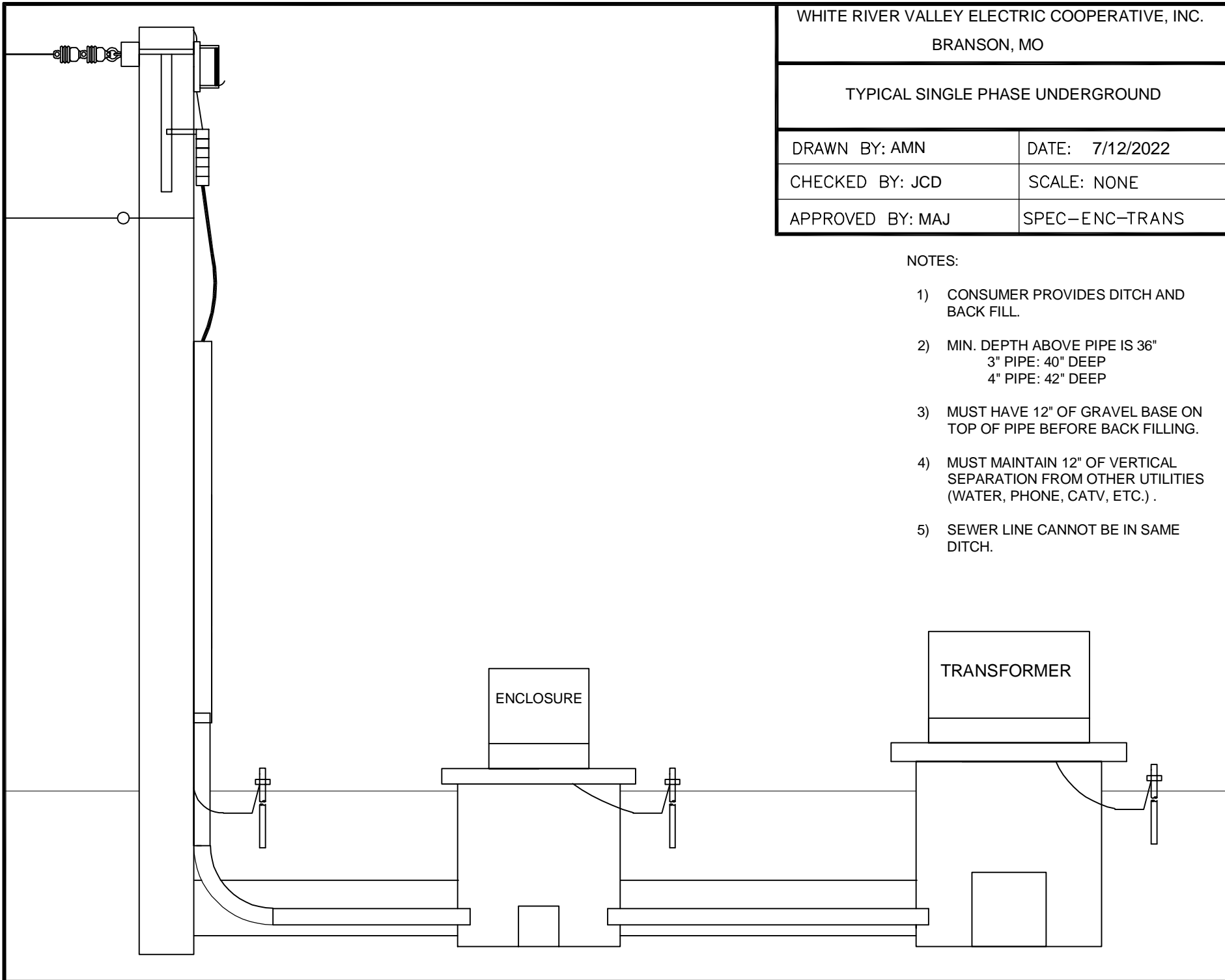
SCALE: NONE

APPROVED BY: MAJ

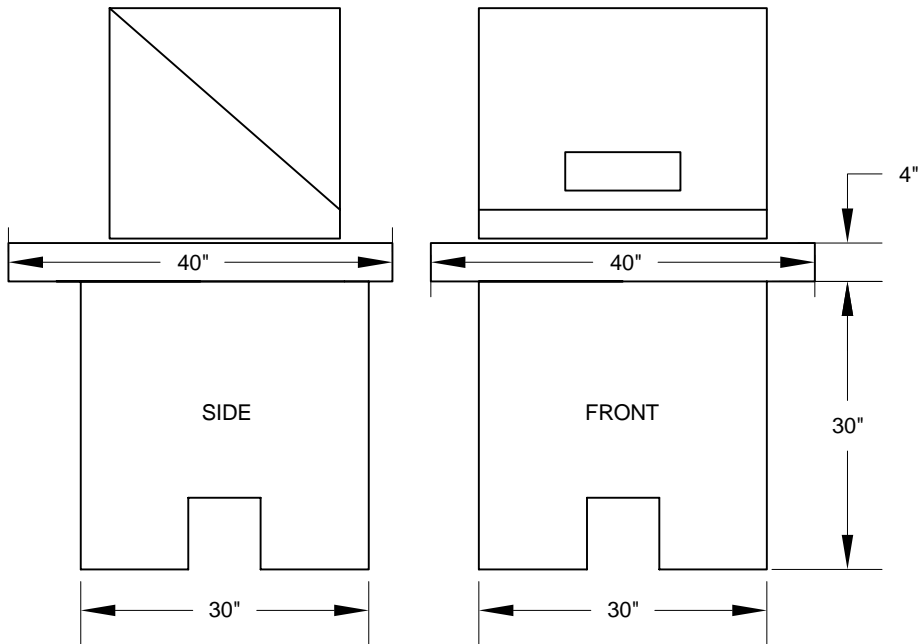
SPEC-ENC-TRANS

NOTES:

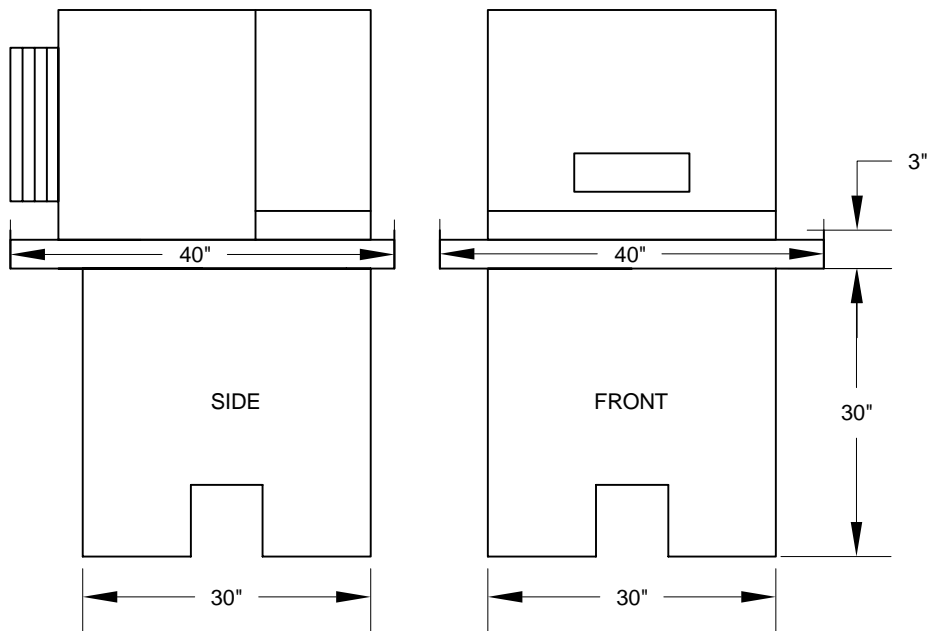
- 1) CONSUMER PROVIDES DITCH AND BACK FILL.
- 2) MIN. DEPTH ABOVE PIPE IS 36"  
3" PIPE: 40" DEEP  
4" PIPE: 42" DEEP
- 3) MUST HAVE 12" OF GRAVEL BASE ON TOP OF PIPE BEFORE BACK FILLING.
- 4) MUST MAINTAIN 12" OF VERTICAL SEPARATION FROM OTHER UTILITIES (WATER, PHONE, CATV, ETC.).
- 5) SEWER LINE CANNOT BE IN SAME DITCH.





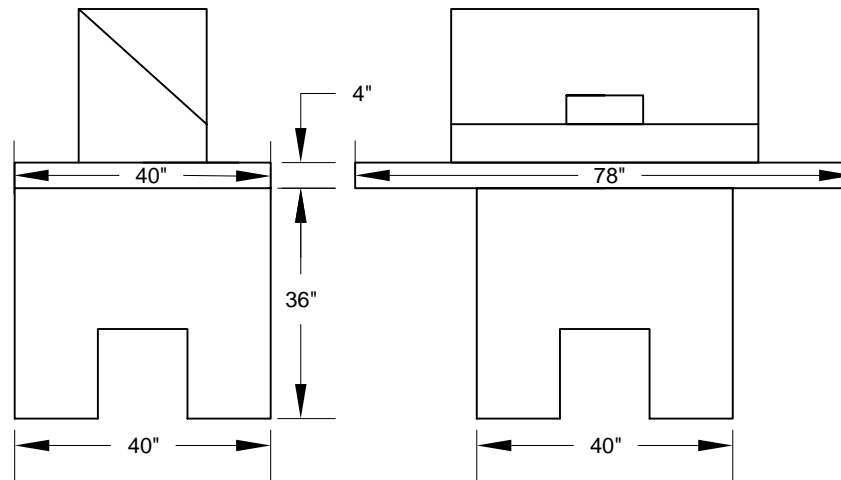


SINGLE PHASE URD ENCLOSURE

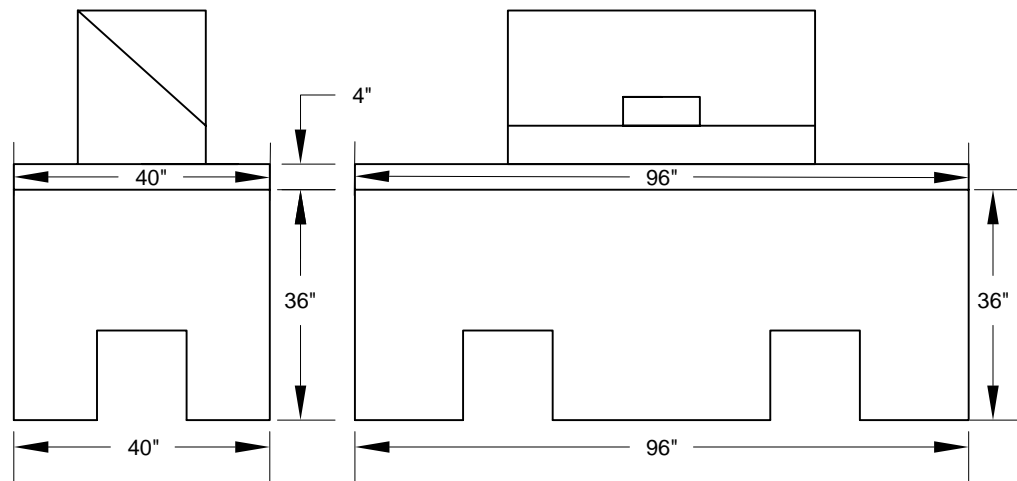


SINGLE PHASE URD TRANSFORMER

WHITE RIVER VALLEY ELECTRIC COOPERATIVE, INC. BRANSON, MO	
SINGLE PHASE UNDERGROUND EQUIPMENT	
DRAWN BY: AMN	DATE: 7/14/2022
CHECKED BY: JCD	SCALE: NONE
APPROVED BY: MAJ	SPEC-URD - EQPT

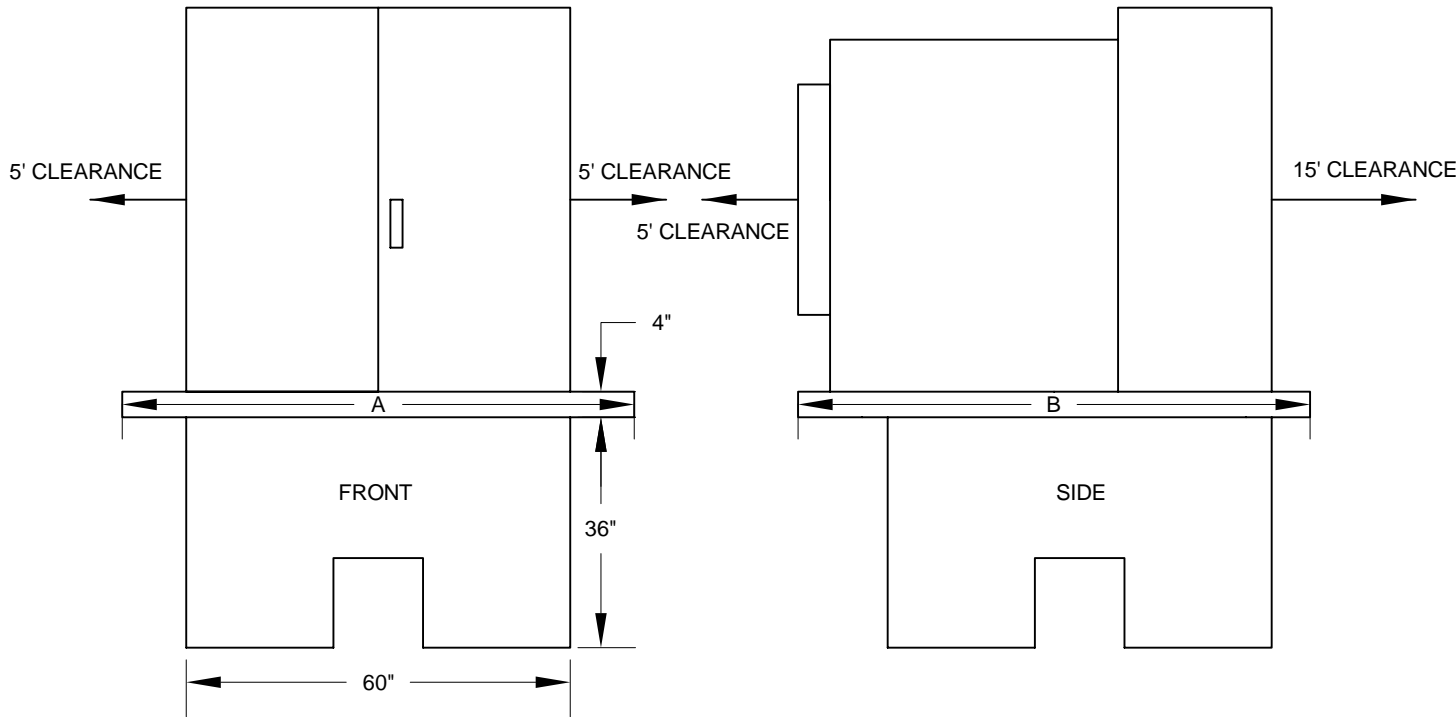


200 AMP 3 PHASE URD ENCLOSURE



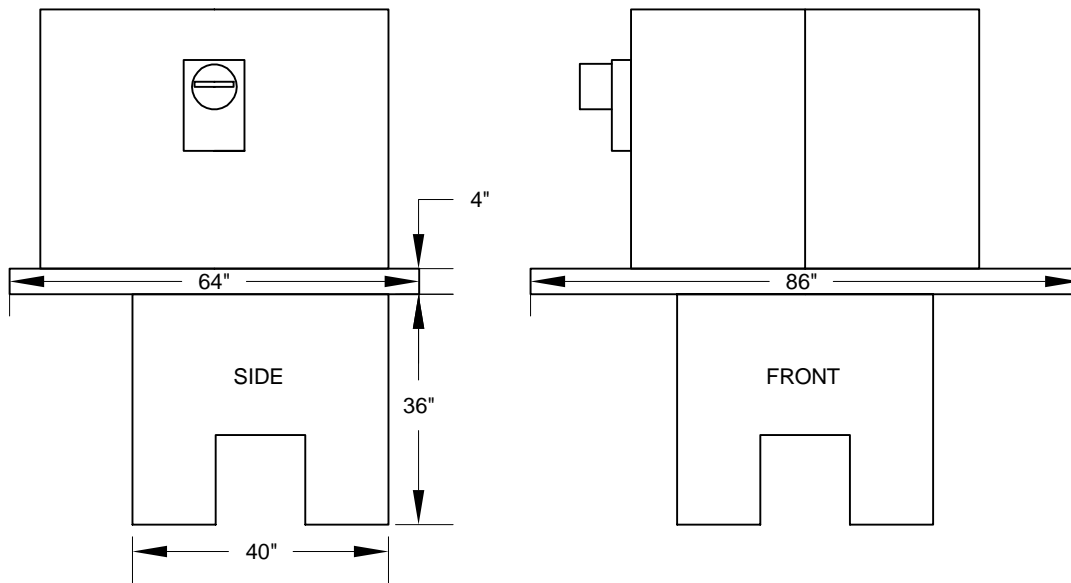
600 AMP 3 PHASE URD ENCLOSURE

WHITE RIVER VALLEY ELECTRIC COOPERATIVE, INC. BRANSON, MO	
THREE PHASE URD ENCLOSERS	
DRAWN BY: AMN	DATE: 7/14/2022
CHECKED BY: JCD	SCALE: NONE
APPROVED BY: MAJ	SPEC-URD - ENC



PAD SIZE	
A	B
80" x	80"
70" x	70"

THREE PHASE URD TRANSFORMER



THREE PHASE URD PRIMARY METERING ENCLOSURE

WHITE RIVER VALLEY ELECTRIC COOPERATIVE, INC.  
BRANSON, MO

THREE PHASE TRANSFORMER AND ENCLOSURE  
UNDERGROUND

DRAWN BY: AMN

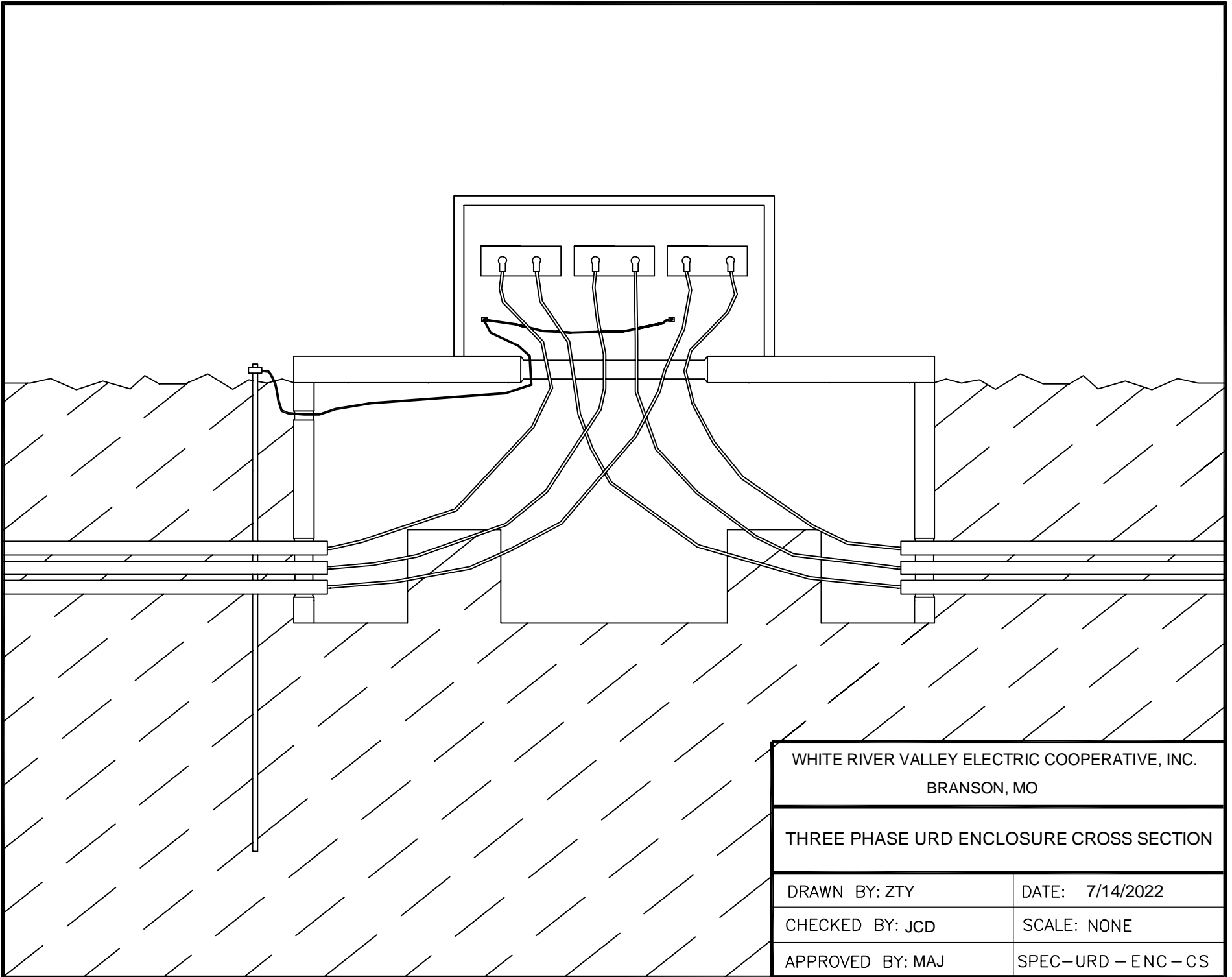
DATE: 7/15/2022

CHECKED BY: JCD

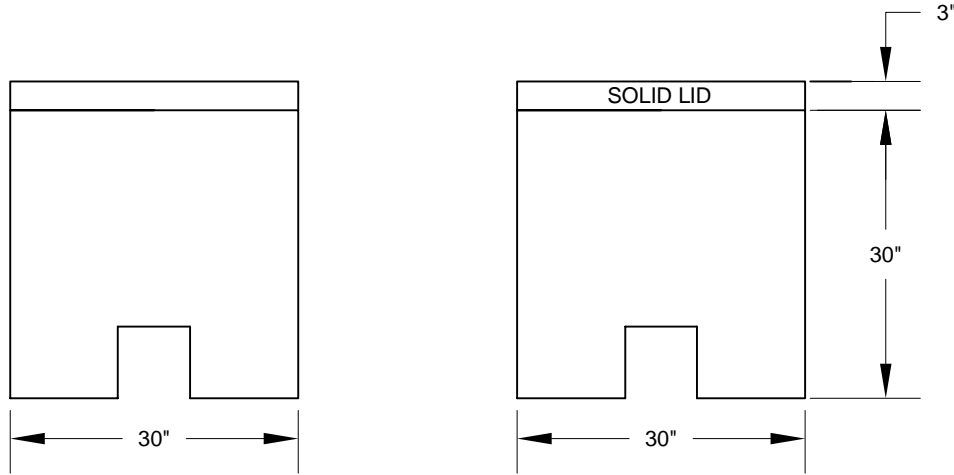
SCALE: NONE

APPROVED BY: MAJ

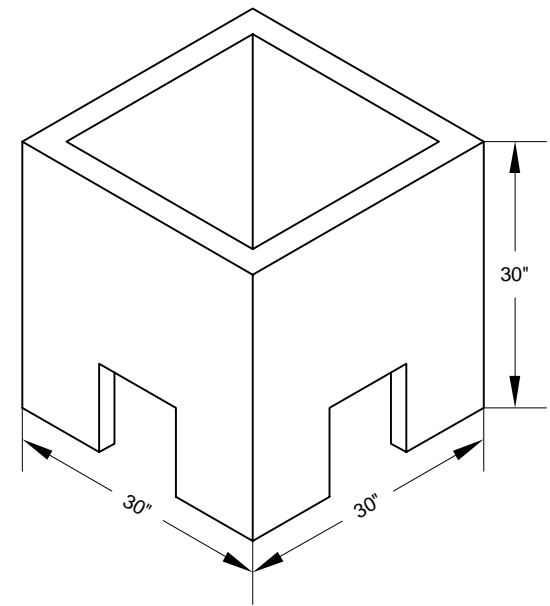
SPEC- URD-TRANS



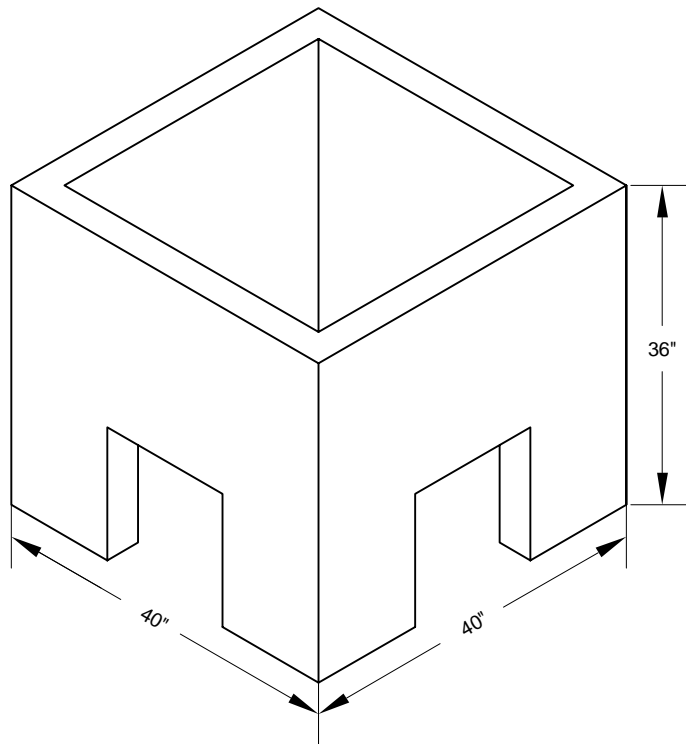
WHITE RIVER VALLEY ELECTRIC COOPERATIVE, INC. BRANSON, MO	
THREE PHASE URD ENCLOSURE CROSS SECTION	
DRAWN BY: ZTY	DATE: 7/14/2022
CHECKED BY: JCD	SCALE: NONE
APPROVED BY: MAJ	SPEC-URD - ENC - CS



SECONDARY AND FIBER VAULT

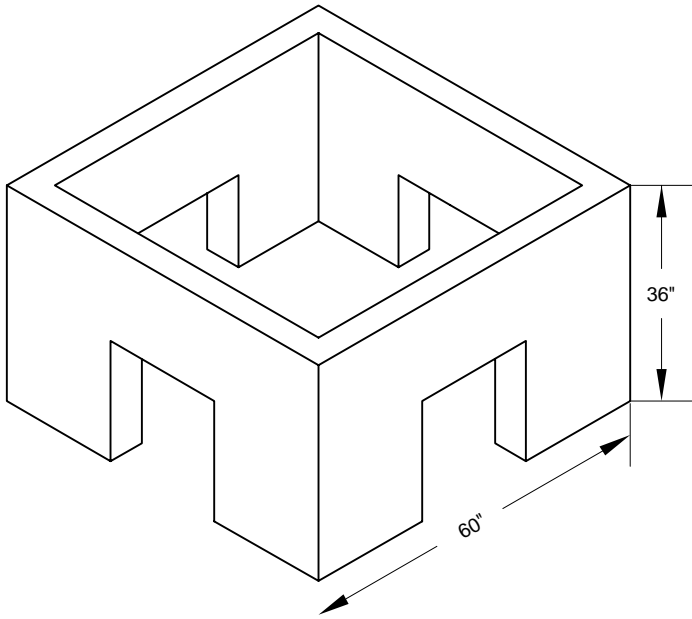


30" x 30" URD VAULT

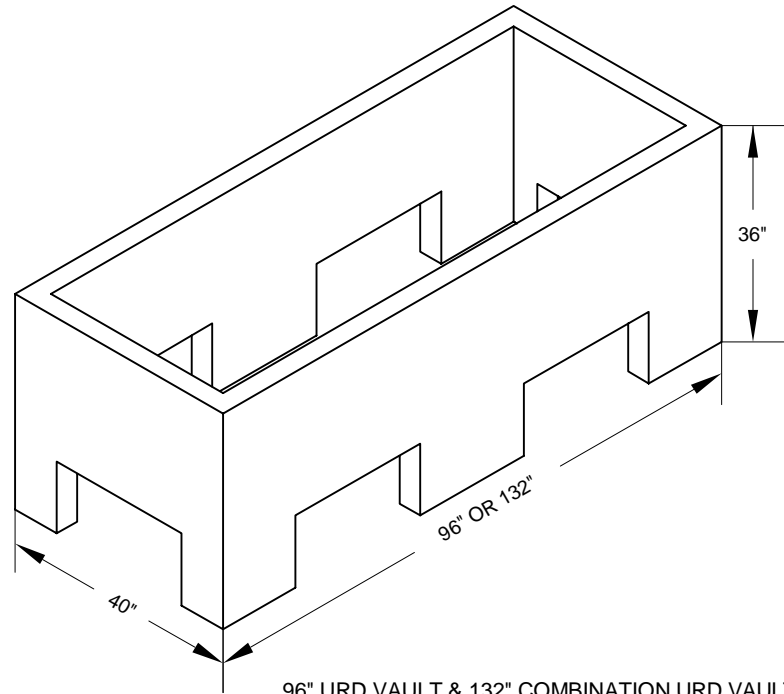


40" x 40" URD VAULT

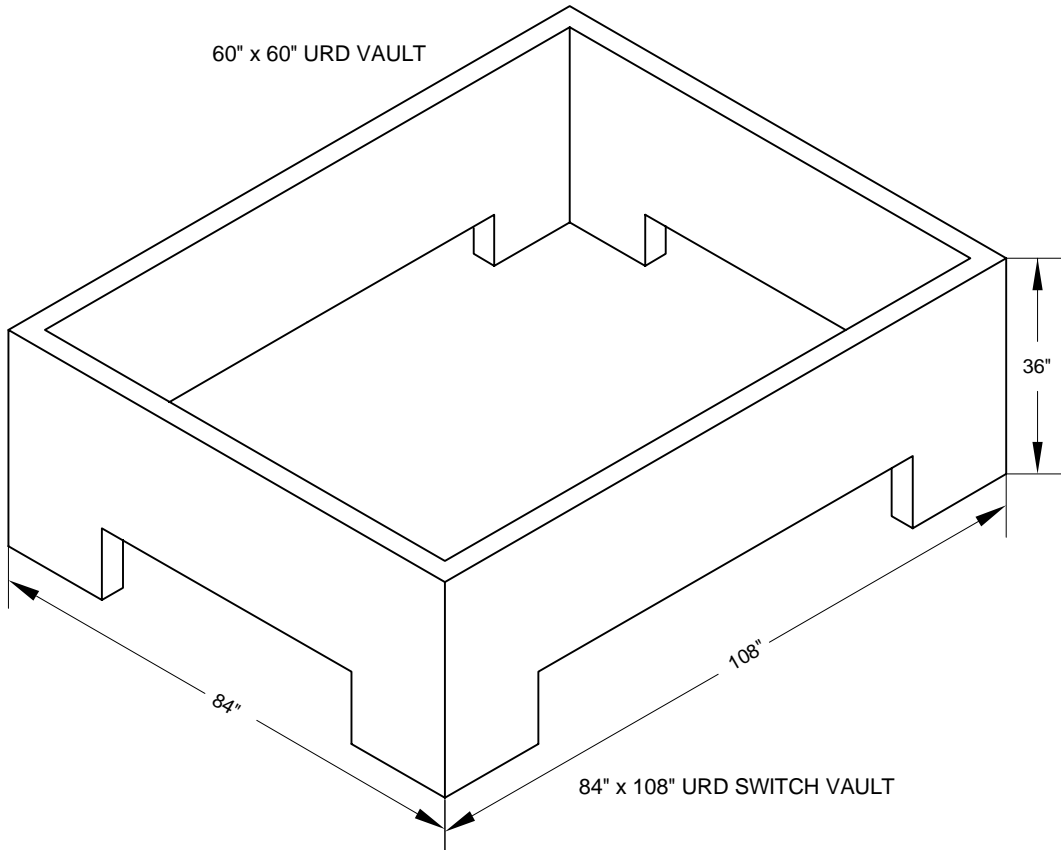
WHITE RIVER VALLEY ELECTRIC COOPERATIVE, INC. BRANSON, MO	
UNDERGROUND VAULTS	
DRAWN BY: AMN	DATE: 7/15/2022
CHECKED BY: JCD	SCALE: NONE
APPROVED BY: MAJ	SPEC-URD-VAULT



60" x 60" URD VAULT

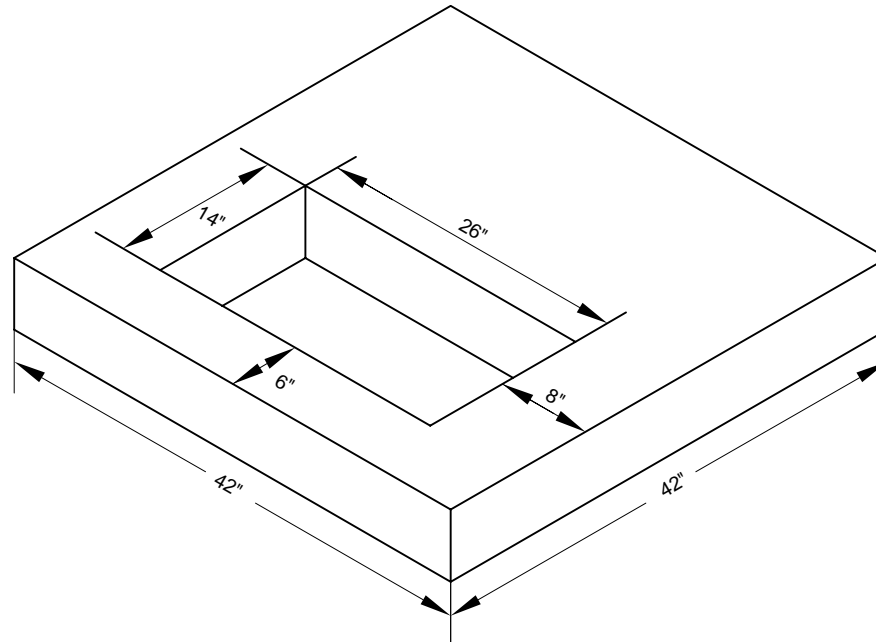


96" URD VAULT & 132" COMBINATION URD VAULT



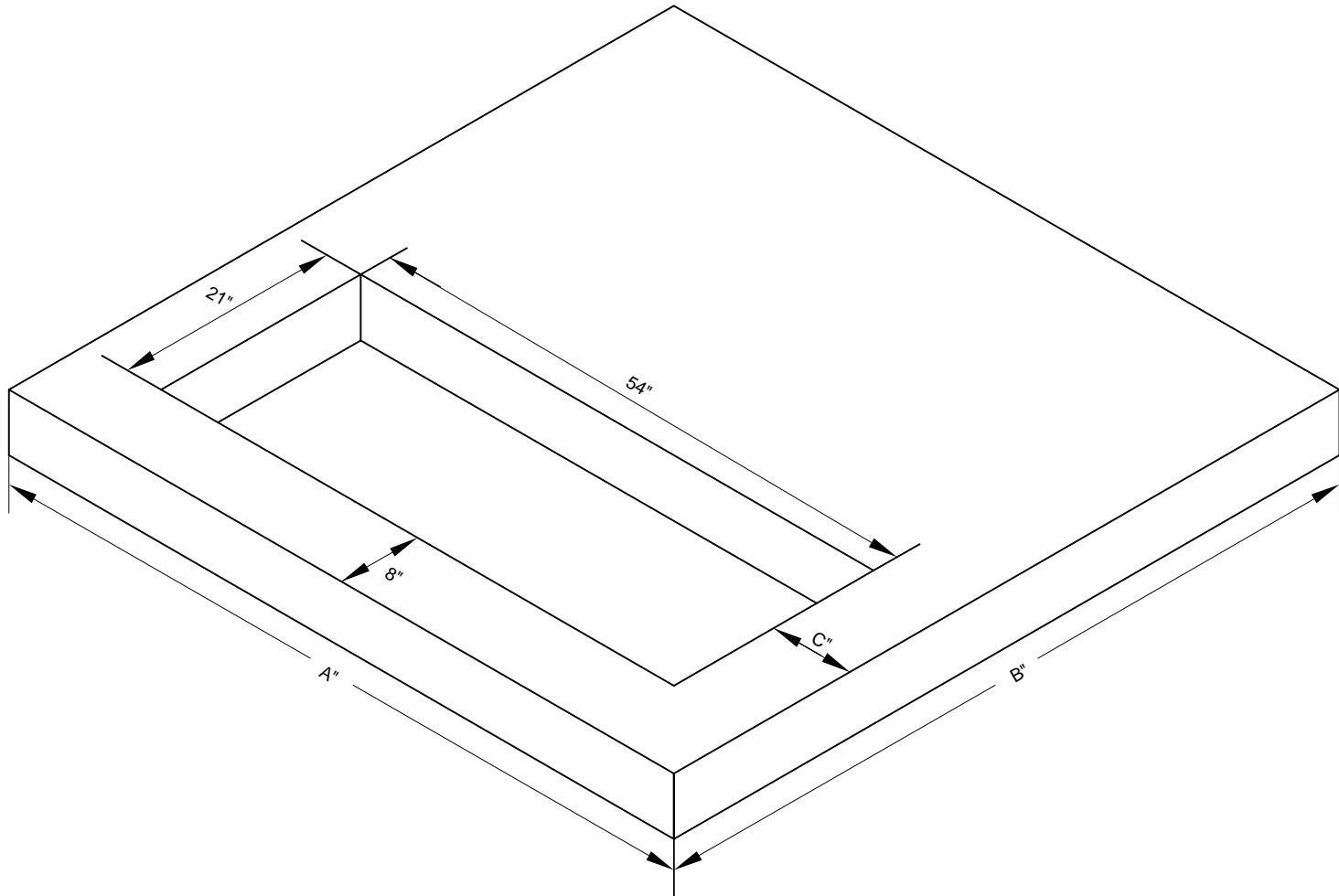
84" x 108" URD SWITCH VAULT

WHITE RIVER VALLEY ELECTRIC COOPERATIVE, INC. BRANSON, MO	
UNDERGROUND VAULTS	
DRAWN BY: AMN	DATE: 7/15/2022
CHECKED BY: JCD	SCALE: NONE
APPROVED BY: MAJ	SPEC-URD-VAULT



SINGLE PHASE TRANSFORMER AND ENCLOSURE PAD

WHITE RIVER VALLEY ELECTRIC COOPERATIVE, INC. BRANSON, MO	
TRANSFORMER AND ENCLOSURE PAD SINGLE PHASE	
DRAWN BY: AMN	DATE: 7/15/2022
CHECKED BY: JCD	SCALE: NONE
APPROVED BY: MAJ	SPEC-1PH - PAD

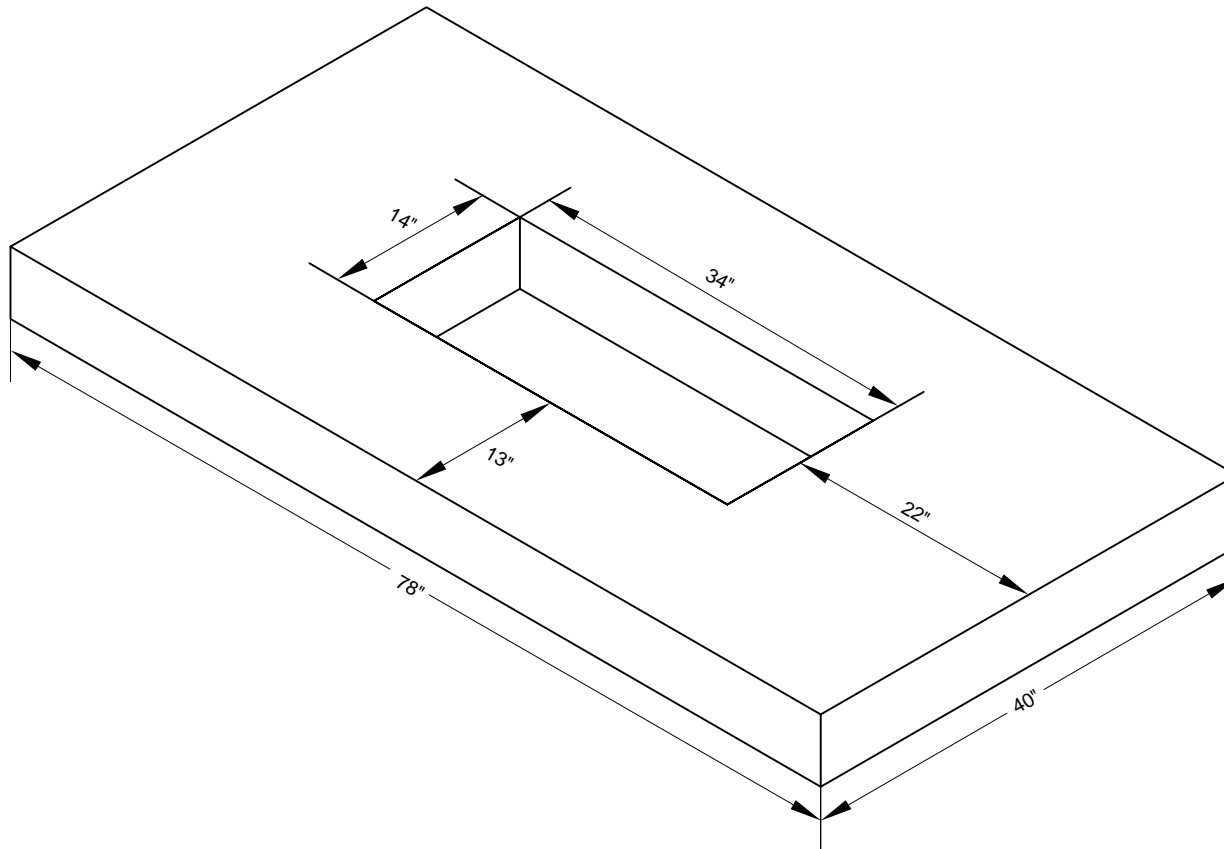


THREE PHASE TRANSFORMER PAD

	A	B	C
MEDIUM PAD: 45 kVA TO 150 kVA	70	70	8
LARGE PAD: 300 kVA TO 1500 kVA	80	80	18

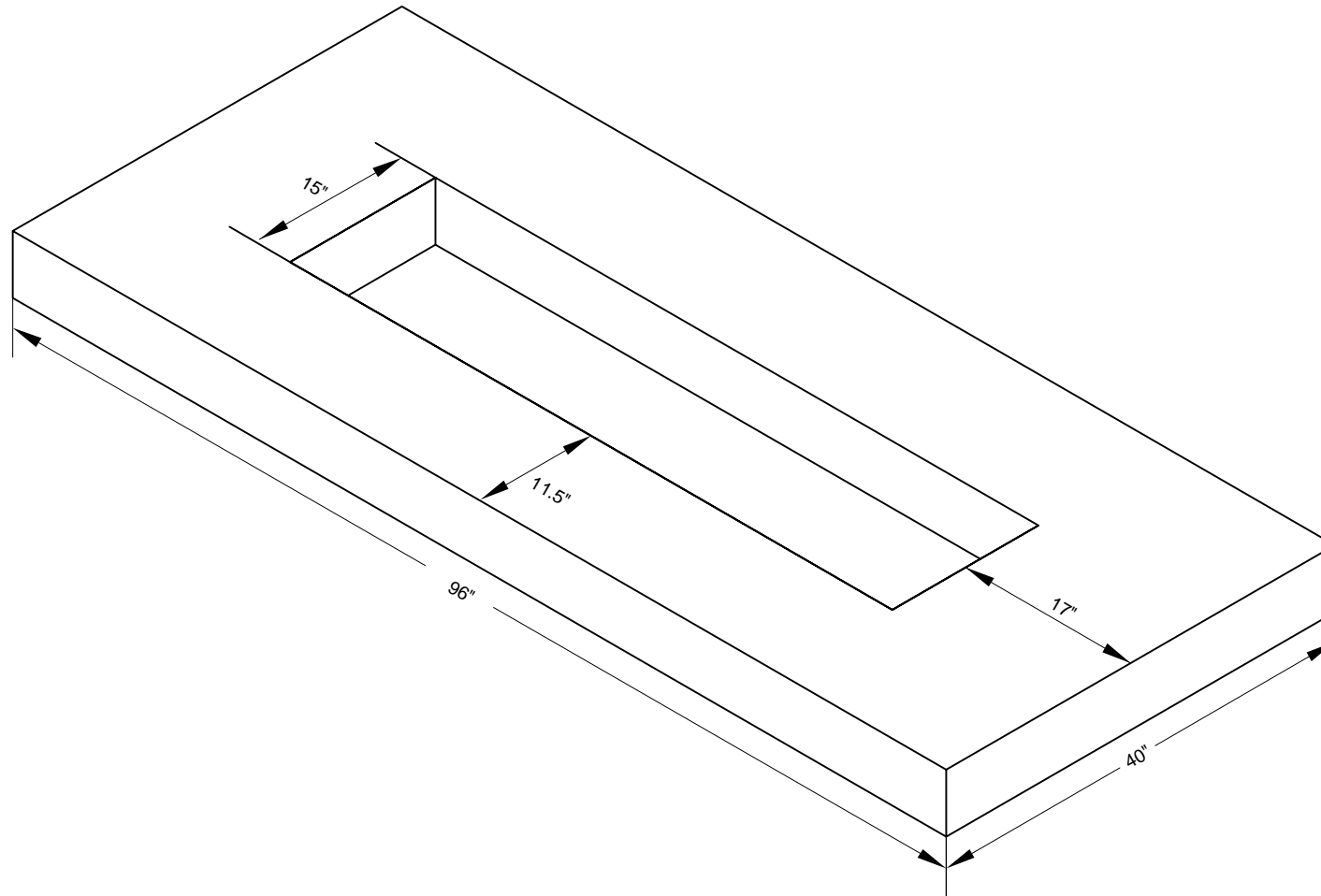
WHITE RIVER VALLEY ELECTRIC COOPERATIVE, INC. BRANSON, MO	
TRANSFORMER PAD THREE PHASE	
DRAWN BY: AMN	DATE: 7/15/2022
CHECKED BY: JCD	SCALE: NONE
APPROVED BY: MAJ	SPEC-3PH - PAD





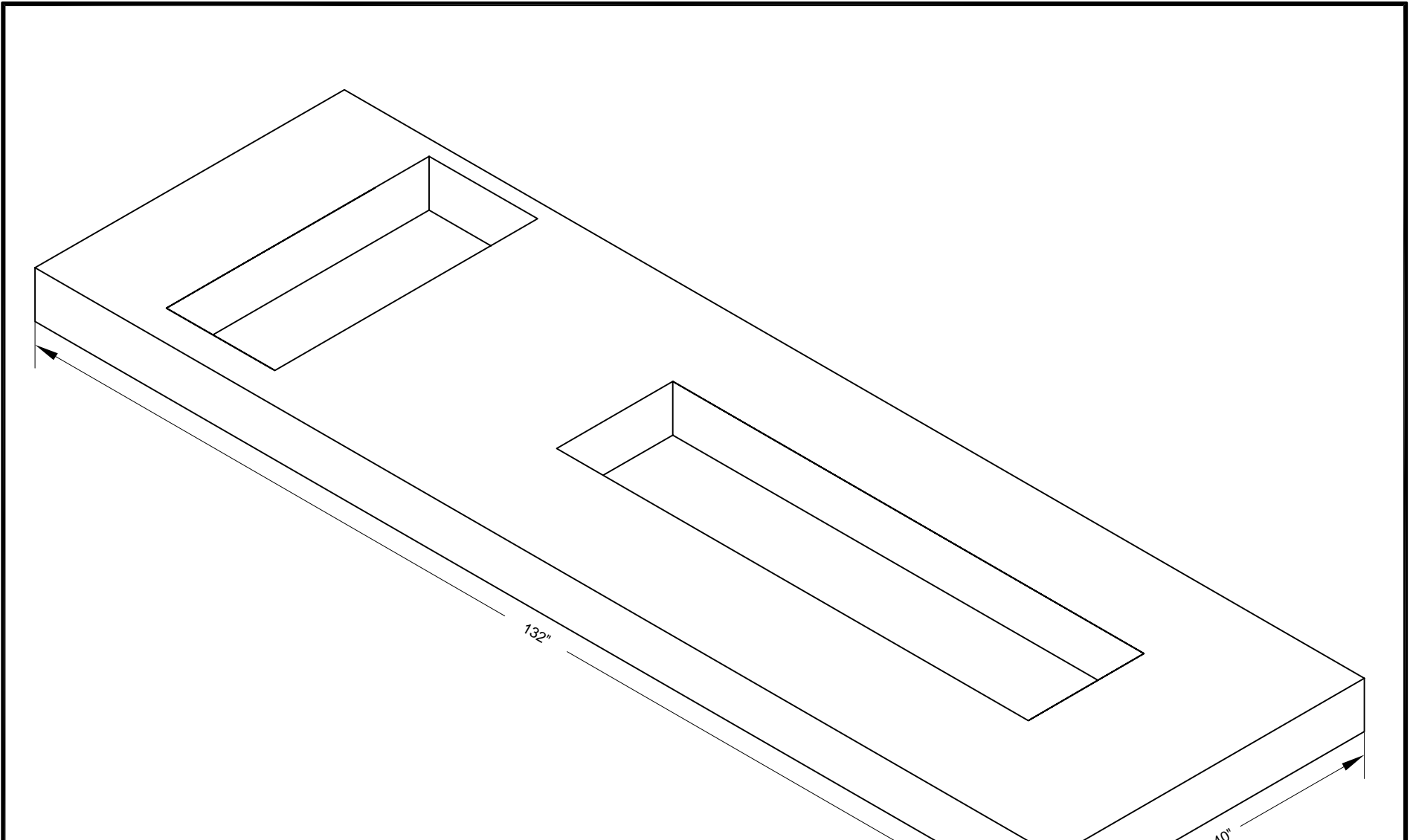
200 AMP THREE PHASE ENCLOSURE PAD

WHITE RIVER VALLEY ELECTRIC COOPERATIVE, INC. BRANSON, MO	
200 AMP ENCLOSURE PAD THREE PHASE	
DRAWN BY: AMN	DATE: 7/15/2022
CHECKED BY: JCD	SCALE: NONE
APPROVED BY: MAJ	SPEC-3PH - PAD



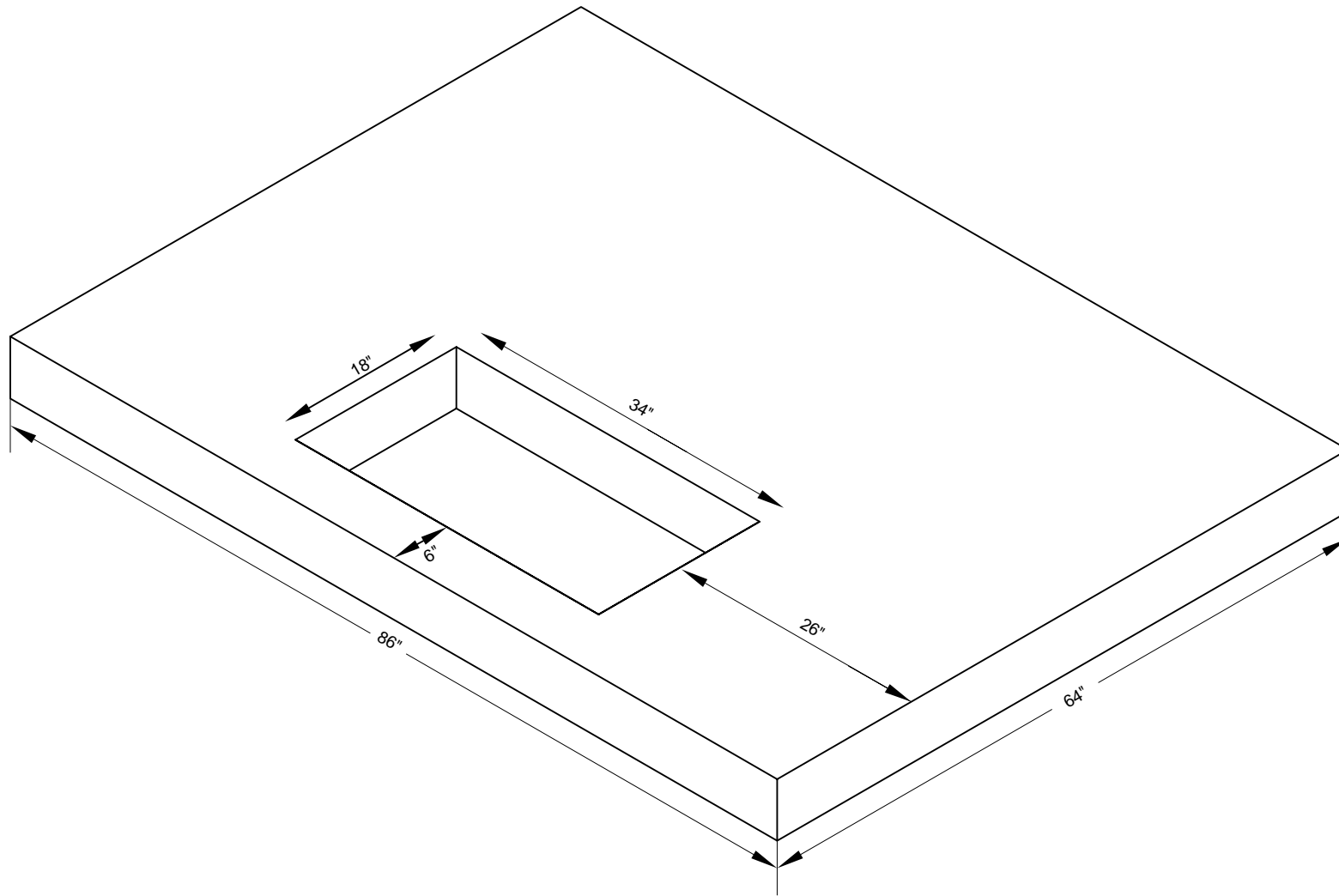
600 AMP THREE PHASE ENCLOSURE PAD

WHITE RIVER VALLEY ELECTRIC COOPERATIVE, INC. BRANSON, MO	
600 AMP ENCLOSURE PAD THREE PHASE	
DRAWN BY: AMN	DATE: 7/15/2022
CHECKED BY: JCD	SCALE: NONE
APPROVED BY: MAJ	SPEC-3PH - PAD



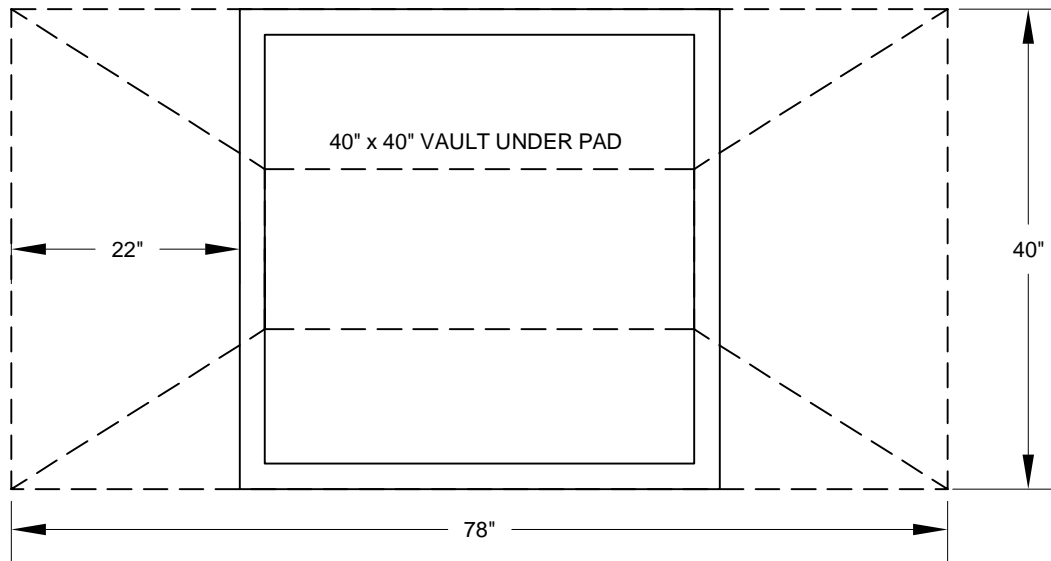
WHITE RIVER VALLEY ELECTRIC COOPERATIVE, INC. BRANSON, MO	
COMBINATION THREE PHASE ENCLOSURE PAD AND SINGLE PHASE TRANSFORMER	
DRAWN BY: AMN	DATE: 7/19/2022
CHECKED BY: JCD	SCALE: NONE
APPROVED BY: MAJ	SPEC-PAD-COMBO

COMBINATION THREE PHASE ENCLOSURE  
PAD AND SINGLE PHASE TRANSFORMER



PRIMARY METERING ENCLOSURE PAD

WHITE RIVER VALLEY ELECTRIC COOPERATIVE, INC. BRANSON, MO	
ENCLOSURE PAD PRIMARY METERING	
DRAWN BY: AMN	DATE: 7/19/2022
CHECKED BY: JCD	SCALE: NONE
APPROVED BY: MAJ	SPEC-PAD-PRIMARY



THREE PHASE ENCLOSURE PAD AND  
VAULT LAYOUT

WHITE RIVER VALLEY ELECTRIC COOPERATIVE, INC.  
BRANSON, MO

ENCLOSURE PAD AND VAULT LAYOUT  
THREE PHASE

DRAWN BY: AMN

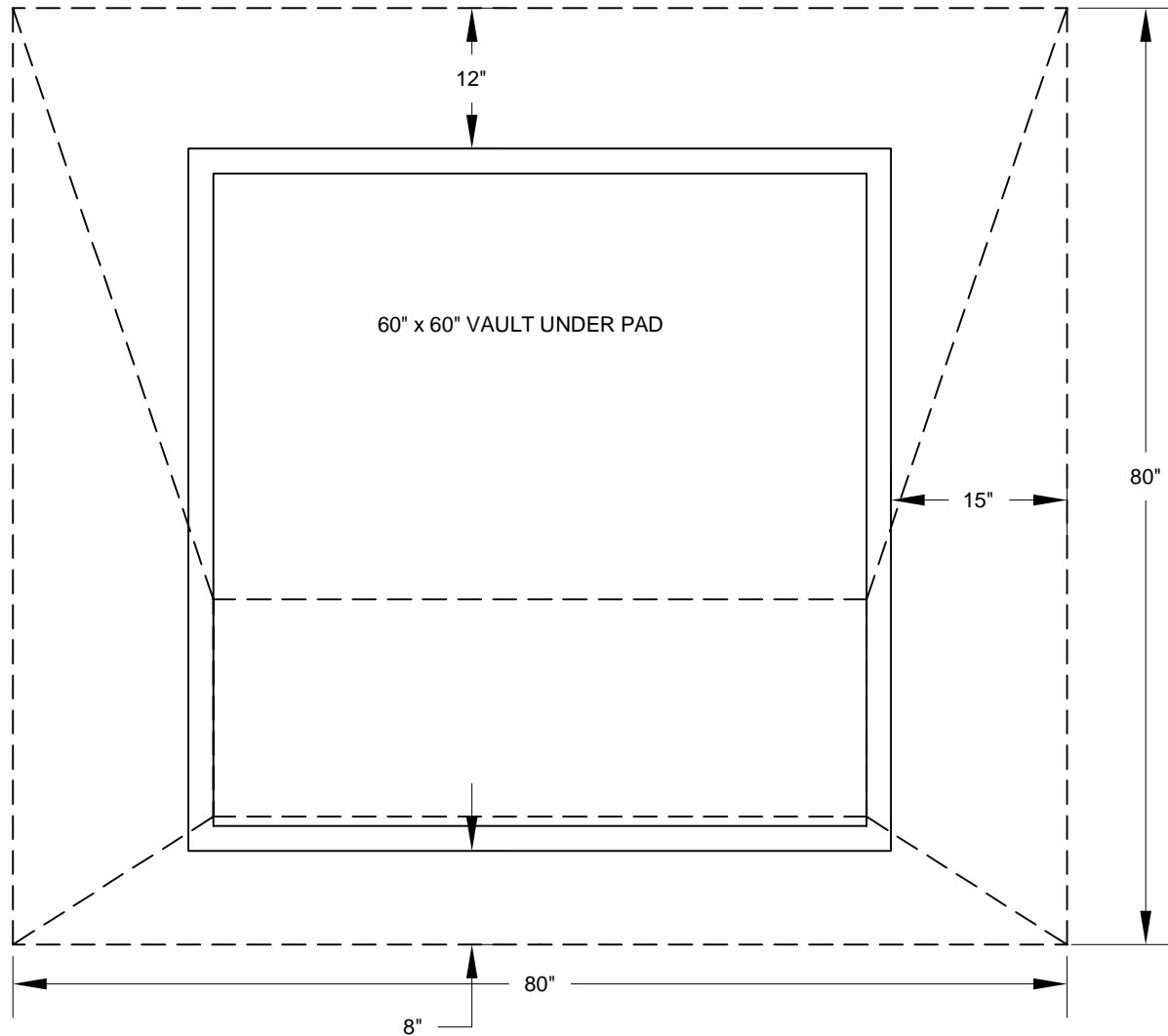
DATE: 7/19/2022

CHECKED BY: JCD

SCALE: NONE

APPROVED BY: MAJ

SPEC-LAYOUT-3PH



60" x 60" VAULT UNDER PAD

12"

80"

15"

80"

8"

750 KVA AND LARGER TRANSFORMER  
PAD AND VAULT LAYOUT

WHITE RIVER VALLEY ELECTRIC COOPERATIVE, INC.  
BRANSON, MO

TRANSFORMER PAD AND VAULT  
LAYOUT

DRAWN BY: AMN

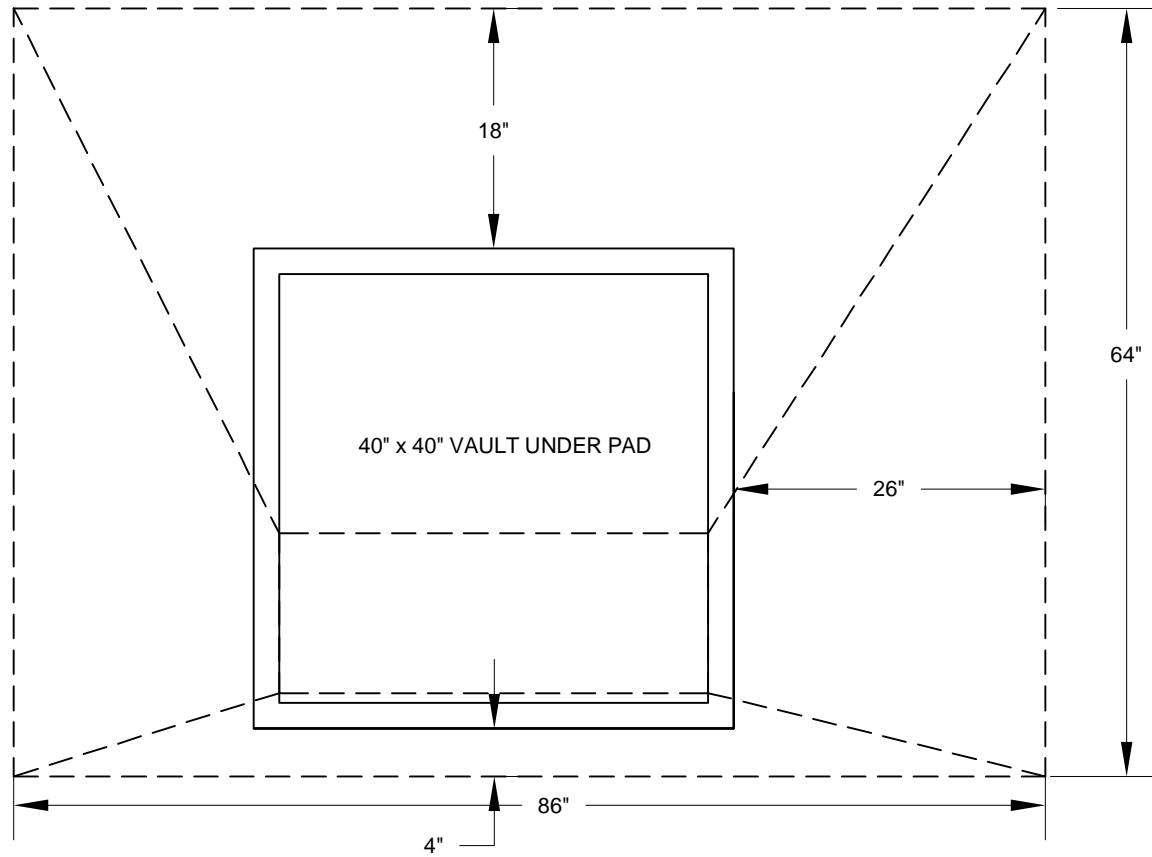
DATE: 7/19/2022

CHECKED BY: JCD

SCALE: NONE

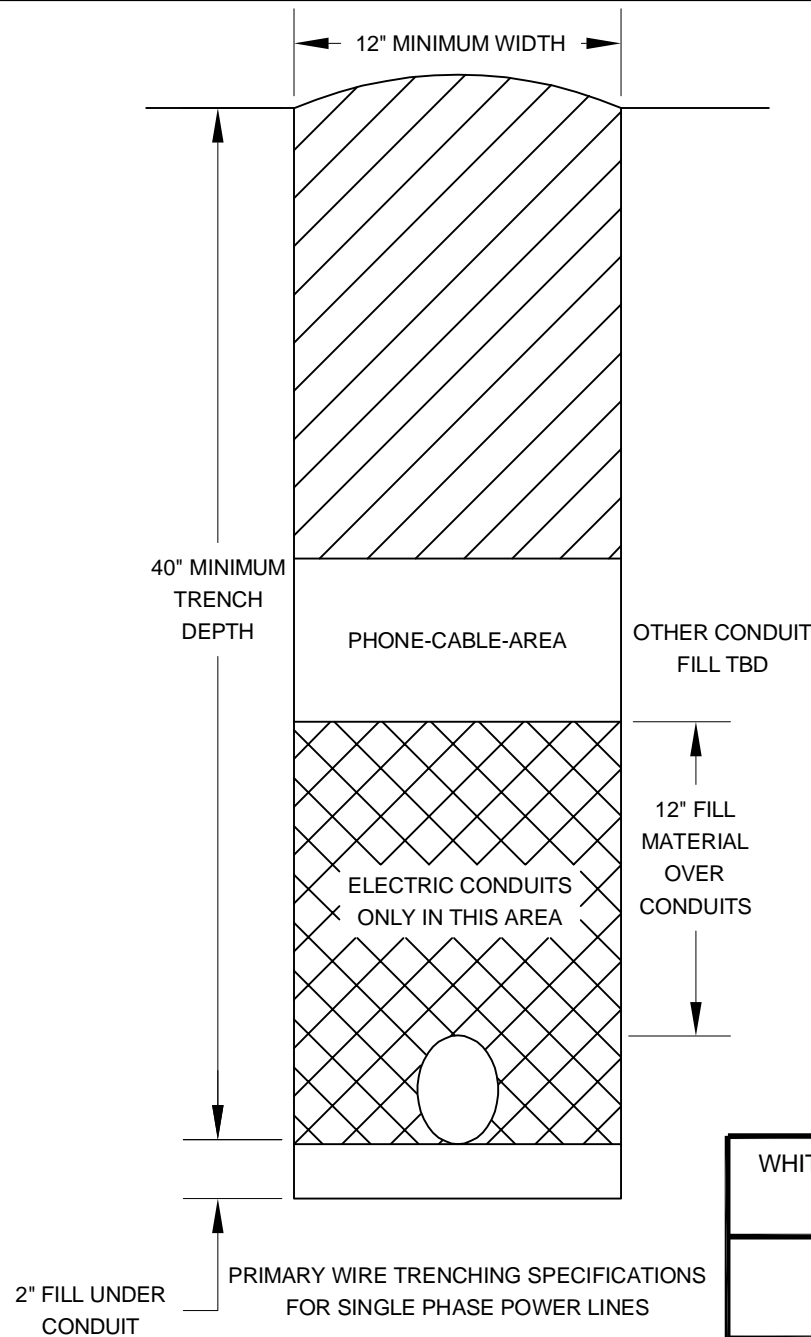
APPROVED BY: MAJ

SPEC-LAYOUT-TRANS



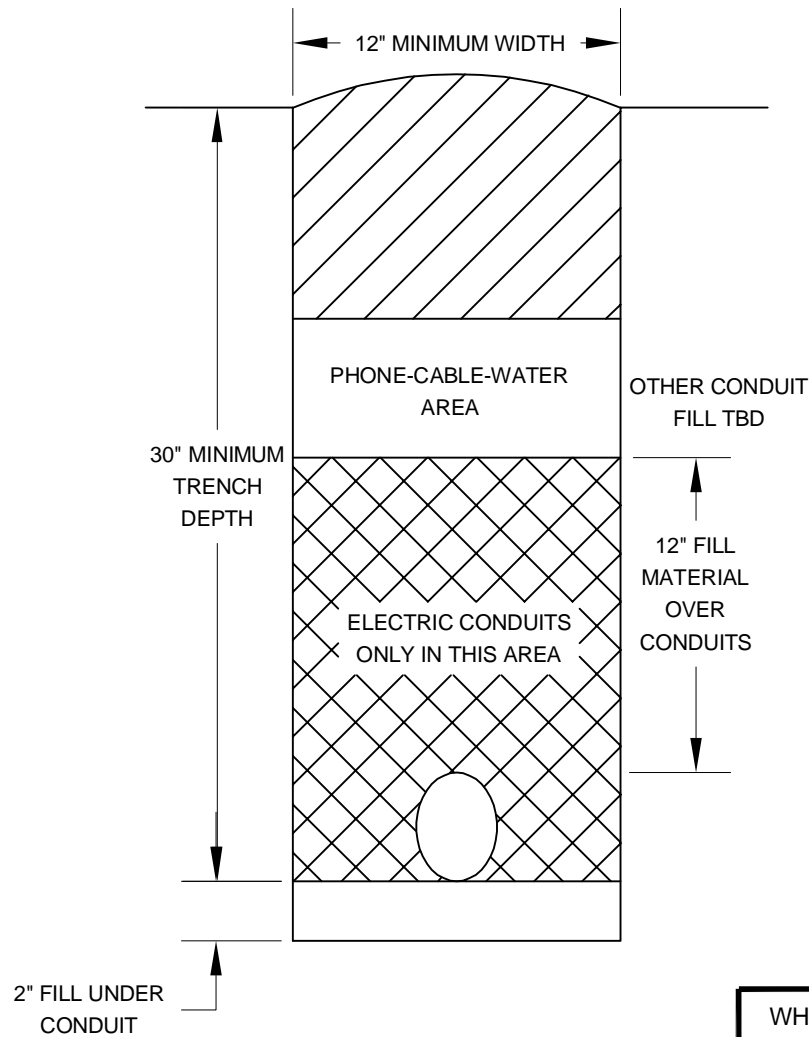
PRIMARY METERING ENCLOSURE PAD  
AND VAULT LAYOUT

WHITE RIVER VALLEY ELECTRIC COOPERATIVE, INC. BRANSON, MO	
ENCLOSURE PAD AND VAULT LAYOUT PRIMARY METERING	
DRAWN BY: AMN	DATE: 7/19/2022
CHECKED BY: JCD	SCALE: NONE
APPROVED BY: MAJ	SPEC-LAYOUT-PRIM



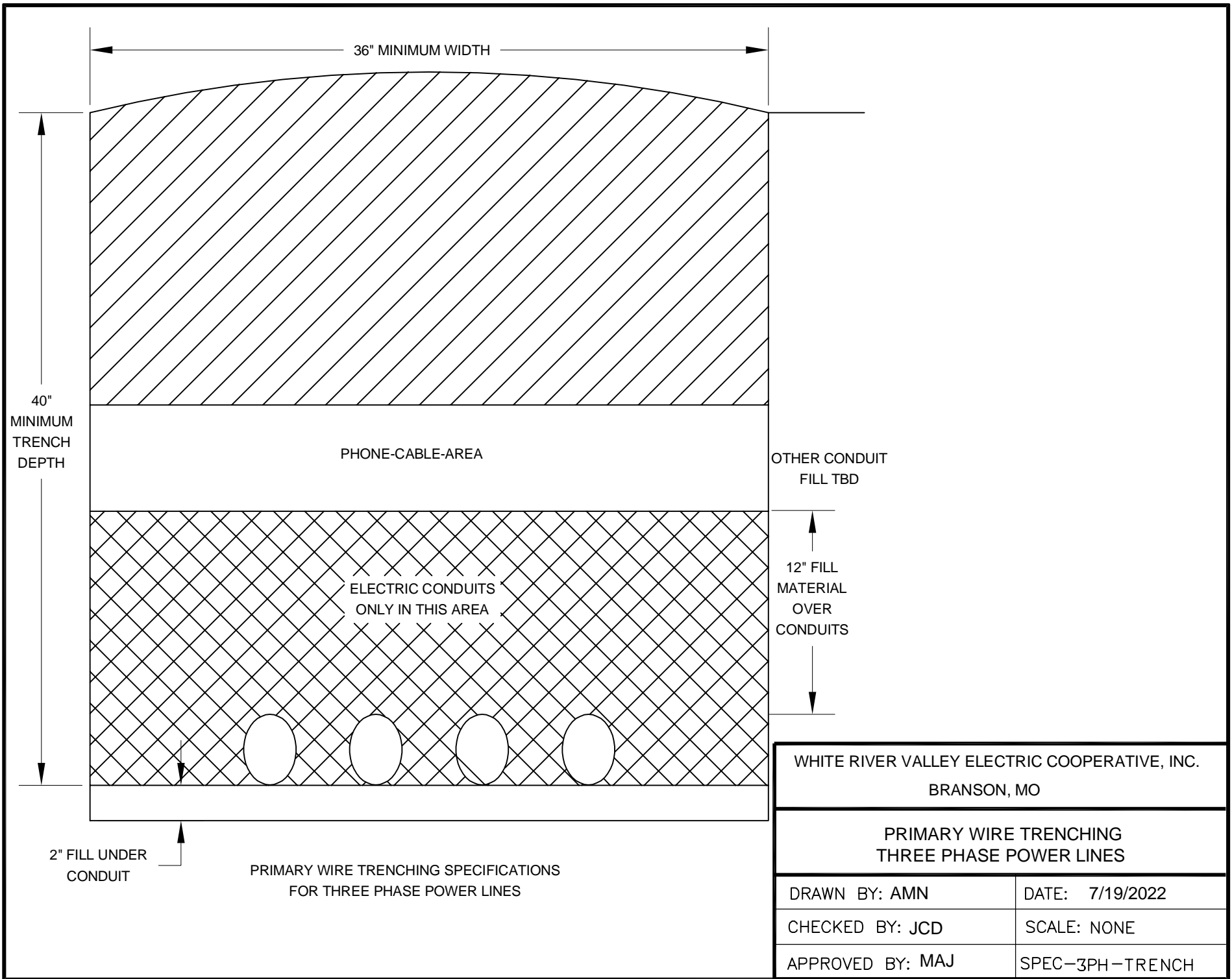
WHITE RIVER VALLEY ELECTRIC COOPERATIVE, INC. BRANSON, MO	
PRIMARY WIRE TRENCHING SINGLE PHASE POWER LINES	
DRAWN BY: AMN	DATE: 7/19/2022
CHECKED BY: JCD	SCALE: NONE
APPROVED BY: MAJ	SPEC-1PH-TRENCH

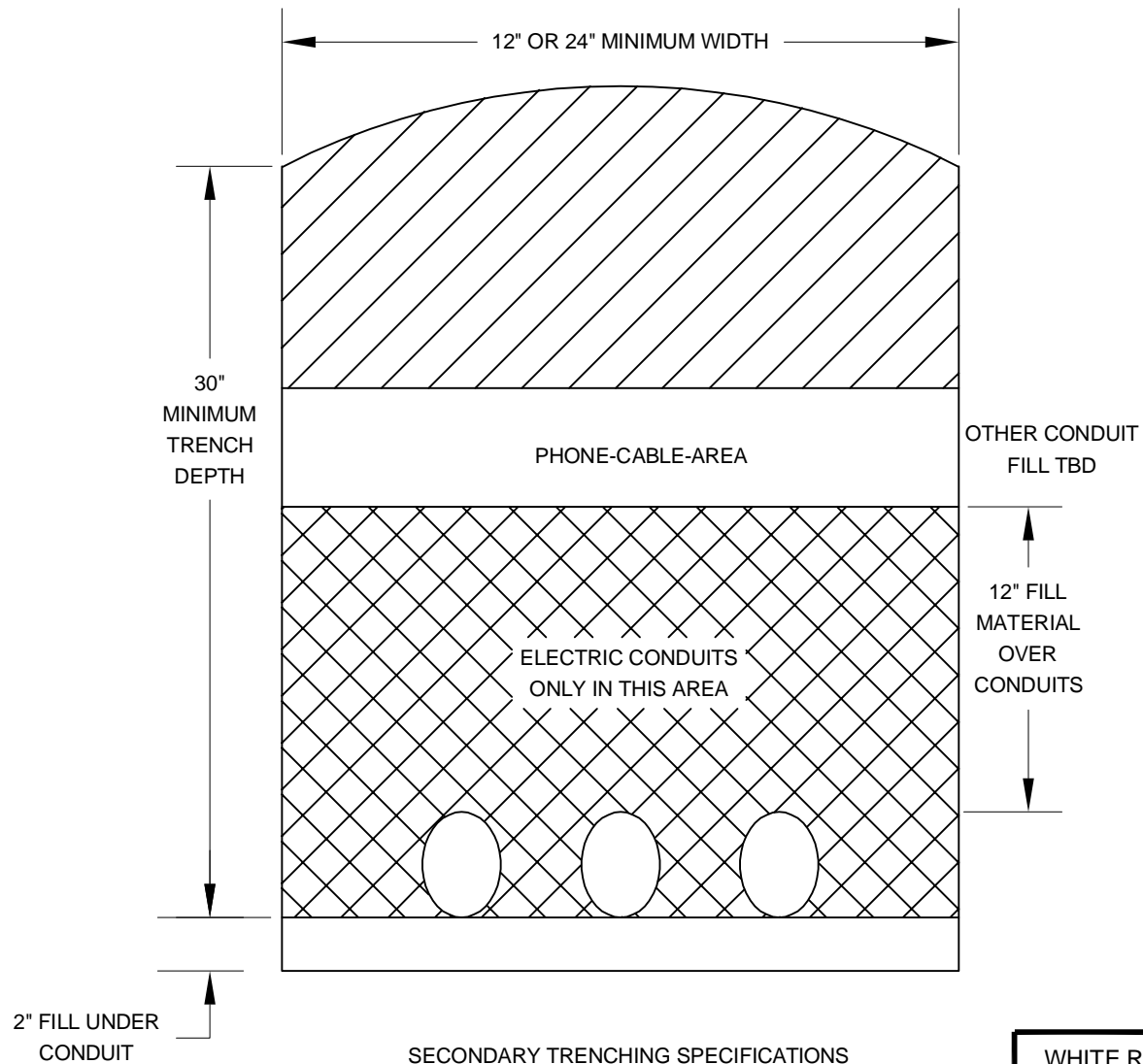




SECONDARY WIRE TRENCHING SPECIFICATIONS  
FOR SINGLE PHASE POWER LINES

WHITE RIVER VALLEY ELECTRIC COOPERATIVE, INC. BRANSON, MO	
SECONDARY WIRE TRENCHING SINGLE PHASE POWER LINES	
DRAWN BY: AMN	DATE: 7/19/2022
CHECKED BY: JCD	SCALE: NONE
APPROVED BY: MAJ	SPEC-1PH-TRENCH





SECONDARY TRENCHING SPECIFICATIONS  
FOR THREE PHASE POWER LINES

WHITE RIVER VALLEY ELECTRIC COOPERATIVE, INC. BRANSON, MO	
SECONDARY WIRE TRENCHING THREE PHASE POWER LINES	
DRAWN BY: AMN	DATE: 7/19/2022
CHECKED BY: JCD	SCALE: NONE
APPROVED BY: MAJ	SPEC-3PH-TRENCH